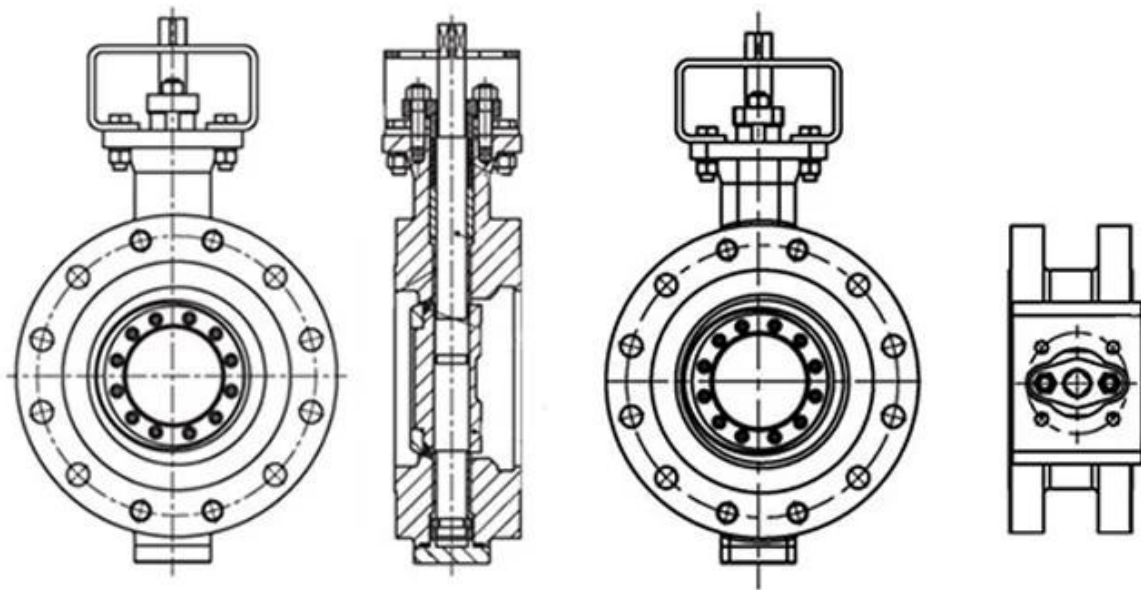


## DESIGN FEATURES



1. Elastic stainless steel sealing ring, "0" leakage
2. Fireproof structural design, blow-out proof stems
3. Auto welding plasma powder surfacing valve seat
4. Hollow design, reduces flow resistance
5. Interchangeable DSS entity seal / multiple-piece
6. stainless and graphite seal
7. ISO5211 Mounting platform, simple connection



# APPLICATION SCENARIO



Industrial water application



Power plant



Sea water desalination



Water treatment



Water supply and drainage



HAVC



Food and drug



Water transport





01

21 years of professional experience

03

Independent research and development team  
28 top senior professional researchers

05

100% high level ex-factory inspection

07

2 years quality assurance, repair and replacement

4 factories

02

2 professional testing centers

04

High quality imported materials

06

## COMPANY QUALIFICATION



## COMPANY EXHIBITION



