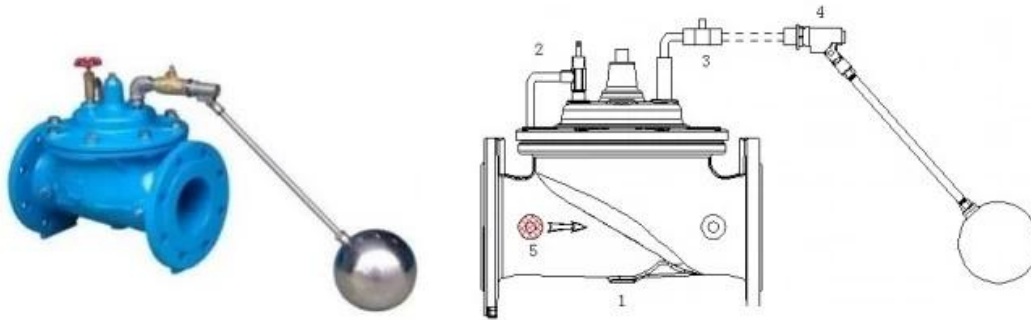
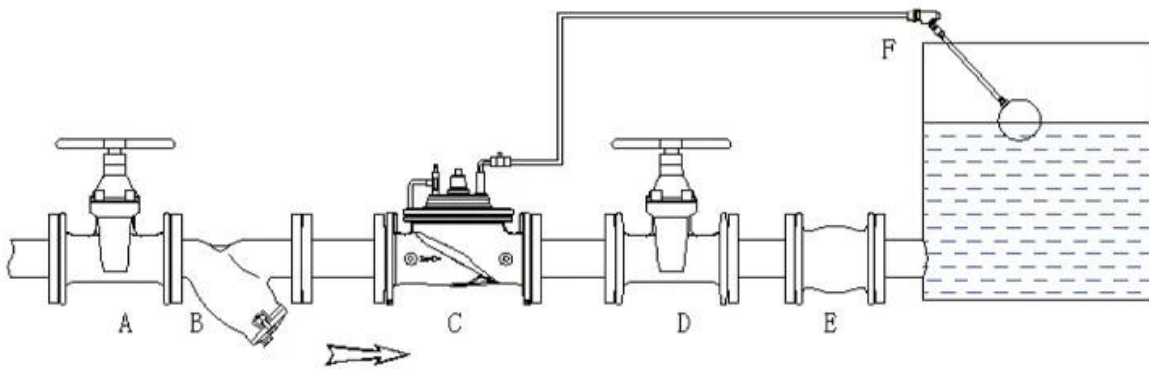


Float Valve 係一種自動控制裝置，當水位上升時，浮球會隨水位上升，當浮球上升到一定高度時，會觸發閥門關閉，防止水繼續流入，從而達到自動控制水位的目的。浮球閥門廣泛應用於各種工業、商業及住宅供水系統中，如抽水機、水塔、水池等。其結構簡單、操作可靠、維護方便，是確保供水系統安全運行的重要組件。



1. 閥門主體 2. 閥門桿 3. 浮球 4. 閥門密封座 5. 閥門手柄



A. 入口閥門 B. 閥門手柄 C. 浮球閥門 D. 出口閥門 E. 出口管道 F. 水箱內浮球閥門

技術規格

1. 閥門材料：鑄鐵
2. 閥門標準：EN-GJS-500-7
3. CF8/SUS304 閥門密封材料；
4. 閥門密封件：EPDM 閥門密封件
5. 閥門認證：WRAS；
6. PN10/16/25

口径	重量	高度	长度	重量	重量	重量	重量
40	230	139	85	250	730	476	205
50	230	139	85	300	850	526	232
65	290	159	95	350	980	585	262
80	310	179	102	400	1100	624	292
100	350	214	112	500	1250	720	360
125	400	278	127	600	1450	835	424
150	480	233	145	800	1850	1110	515
200	600	407	172	1,000	2250	1350	630

技术参数:

1. 额定流量: 2 m³/h
2. 额定压力: 1.0 MPa
3. 额定温度: 150℃
4. 额定功率: 64 W
5. 额定电压 (FB), 额定电压 (RB) 额定电压 (ACD) 6 额定电压
- 6.1 额定电压: 1.1 * PN 1 Bar
- 6.2 额定电压: 1.5 * PN 1 Bar
- 6.3 额定电压: 0.2 MPa
7. 额定频率: 1000 Hz
8. 额定流量: 9. 额定流量



COMPANY INFORMATION



I 公司注册地址： [Placeholder]

II 公司经营范围： [Placeholder]

III 公司主要产品： [Placeholder]

IV 公司主要资质： [Placeholder]

V 公司主要标准： GB, [Placeholder], [Placeholder], TUV CE, ISO 9001, ADWO-2000, TS, PED, WRC WRAS, KTW, API 6D, API609

VI 公司主要客户： [Placeholder], [Placeholder], [Placeholder], [Placeholder], [Placeholder], [Placeholder], [Placeholder]

COMPANY FACTORY



01

21 years of professional experience

03

Independent research and development team
28 top senior professional researchers

05

100% high level ex-factory inspection

07

2 years quality assurance, repair and replacement

4 factories

02

2 professional testing centers

04

High quality imported materials

06

COMPANY QUALIFICATION



COMPANY EXHIBITION



Partners



Delivery



Payment



Q: How long is the lead time?

A: It depends on the quantity and the configuration of the product.

Q: Can you provide a quote for the product?

Q: Do you have any special requirements for the product?

A: Yes, we have hydraulic, pneumatic, and RKSfluid products. We can provide detailed technical specifications and drawings.

Q: Do you have any special requirements for the product?

A: RKSfluid is a special material that requires special handling and storage.

Q: Do you have any special requirements for the product?

A: We have a 2-5 year warranty for our products. We can provide detailed technical specifications and drawings.

Q: Do you have any special requirements for the product?

A: We have a 1 year warranty for our products. We can provide detailed technical specifications and drawings.

Q: Do you have any special requirements for the product?

A: We have a 100% quality control system. We can provide detailed technical specifications and drawings.

Q: Do you have any special requirements for the product?

A: We have a 100% quality control system. We can provide detailed technical specifications and drawings.

Q: Do you have any special requirements for the product?

A: RKSfluid 20 R&D 70