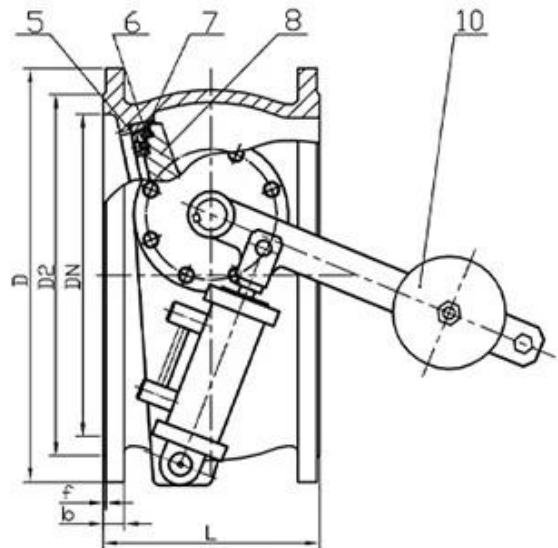
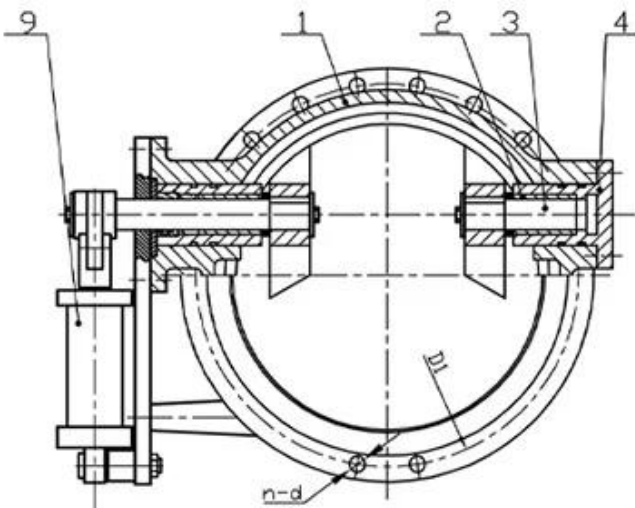


PRODUCT STRUCTURE

Features

- Size range DN100-1200mm
- Standard-ISO/ BS/DIN /AWWA/API
- Tests standard-BS EN 12266-1
- Body-Ductile Iron/Cast Iron/Stainless Steel/WCB
- Body Ring-SS420/SS304/SS316
- Disc Ring-EPDM
- Shaft-420/S5431/SS316
- Fusion bonded epoxy coating- Min 300 Microns

This series tilting check valves are suitable to be used at the exit of the pump whose medium is water. It is used to prevent or reduce medium back from water hammer. So it can protect the pipeline system. Suitable temperature $\leq 80^{\circ}\text{C}$



APPLICATION SCENARIO



Industrial water application



Power plant



Sea water desalination



Water treatment



Water supply and drainage



HAVC



Food and drug



Water transport



COMPANY FACTORY



COMPANY INFORMATION



- i) 本公司拥有先进的生产设备，采用国际先进的生产技术和工艺，确保产品质量稳定可靠。
 - ii) 本公司拥有完善的质量管理体系，通过了 ISO 9001 质量管理体系认证，并通过了 GB、CNC 等多项认证，确保产品质量符合国际标准。
 - iii) 本公司拥有专业的研发团队，具备强大的研发能力，能够为客户提供定制化的产品和服务。
 - iv) 本公司拥有完善的销售网络，产品远销国内外，深受客户的信赖和支持。
- v) 本公司拥有完善的质量管理体系：GB, ISO 9001, TUV CE, ADWO-2000, TS, PED, WRC WRAS, KTW, API 6D, API609
- VI) 本公司拥有完善的质量管理体系：GB, ISO 9001, TUV CE, ADWO-2000, TS, PED, WRC WRAS, KTW, API 6D, API609

01

21 years of professional experience

03

Independent research and development team
28 top senior professional researchers

05

100% high level ex-factory inspection

07

2 years quality assurance, repair and replacement

4 factories

02

2 professional testing centers

04

High quality imported materials

06

COMPANY QUALIFICATION



COMPANY EXHIBITION



Partners



Q: 2024年10月10日（星期三）下午2:00-3:00

Q: RKSfluid 2024年10月10日（星期三）下午2:00-3:00 R&D 70 2024年10月10日（星期三）下午2:00-3:00