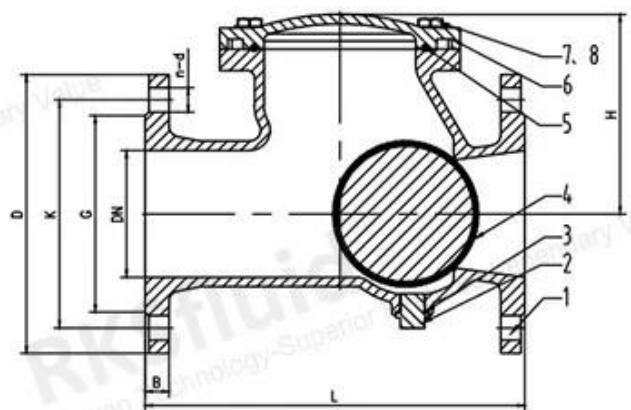
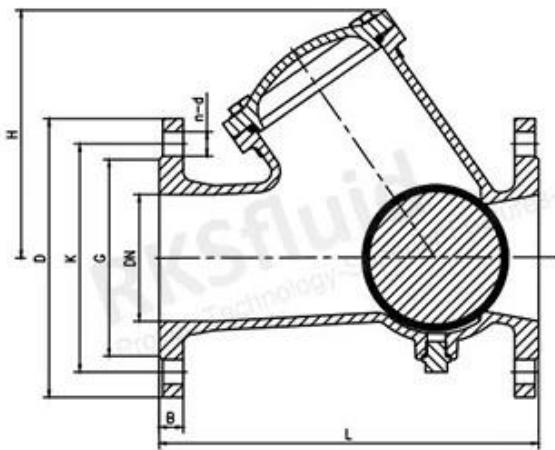
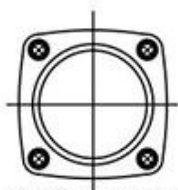


RKSfluid is a company that specializes in the production of industrial valves and fittings. The company's products are designed to meet the highest standards of quality and safety. RKSfluid valves are used in a wide range of applications, including the oil and gas industry, chemical processing, and power generation. The company's products are known for their durability, reliability, and ease of maintenance. RKSfluid valves are available in a variety of materials, including stainless steel, carbon steel, and alloy steel. The company also offers a range of valve accessories, including actuators, positioners, and limit switches. RKSfluid valves are designed to operate at high pressures and temperatures, and are suitable for use in corrosive environments. The company's products are used in a wide range of industries, including the oil and gas industry, chemical processing, and power generation. RKSfluid valves are known for their high quality and reliability, and are used in a wide range of applications. RKSfluid valves are designed to meet the highest standards of quality and safety, and are used in a wide range of industries. RKSfluid valves are available in a variety of materials, including stainless steel, carbon steel, and alloy steel. The company also offers a range of valve accessories, including actuators, positioners, and limit switches. RKSfluid valves are designed to operate at high pressures and temperatures, and are suitable for use in corrosive environments.

Standard	EN 1171
Standard	EN 1092-2
Standard	ISO 12266-1
Standard	API 607
Standard	API
Temperature range	0-80 °C
Connection	11/18" Flange
Connection	15/24" Flange
Connection	10/16" Flange
Connection	DN40-DN500
Connection	Flange



DN40-DN65



DN80-DN150

DN200-DN500

# COMPANY INFORMATION



I 公司宗旨： 秉承“以人为本、科技领先、服务至上”的经营理念，致力于为客户提供高品质的产品和服务。

II 公司优势： 拥有先进的生产设备和专业的技术团队，具备强大的研发能力和生产能力，能够满足客户多样化的需求。

III 公司资质： 通过了 ISO 9001 质量管理体系认证，具备完善的质量控制体系，确保产品质量的稳定性和可靠性。

IV 公司服务： 提供全方位的技术支持和售后服务，确保客户在使用过程中遇到的问题能够得到及时解决。

V 公司标准： GB, 行业标准, 企业标准, TUV CE, ISO 9001, ADWO-2000, TS, PED, WRC WRAS, KTW, API 6D, API609

VI 公司合作： 与国内外知名企业和科研机构建立了紧密的合作关系，共同推动行业技术进步和创新发展。

# COMPANY FACTORY



# SHIPPING PACKAGING



01

21 years of professional experience

03

Independent research and development team  
28 top senior professional researchers

05

100% high level ex-factory inspection

07

2 years quality assurance, repair and replacement

4 factories

02

2 professional testing centers

04

High quality imported materials

06

# COMPANY QUALIFICATION



## COMPANY EXHIBITION



## Partners





Q: RKSfluid 27 R&D 70

A: RKSfluid 27 R&D 70