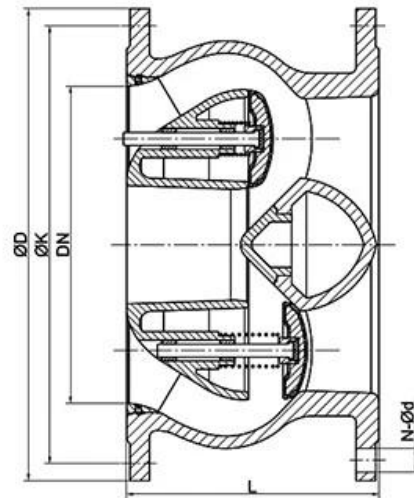


DESIGN FEATURES

Features

1. Streamlined: minimum noise
2. Anti-static design
3. Double Block & Bleed
4. Automatic Self-Venting Seats
5. Emergency Protection



APPLICATION SCENARIO



Industrial water application



Power plant



Sea water desalination



Water treatment



Water supply and drainage



HAVC



Food and drug



Water transport



COMPANY INFORMATION



i 本公司拥有先进的生产设备，包括数控机床、加工中心、磨床、铣床、刨床、钻床、冲床、折弯机、剪板机、激光切割机、等离子切割机、电火花机等。

ii 本公司拥有完善的质量管理体系，通过了 ISO 9001 质量管理体系认证，并通过了 GB/T 19001-2016/ISO 9001:2015 质量管理体系认证。

unit 本公司拥有专业的技术团队，具备丰富的行业经验，能够提供从设计、制造到安装、调试的全方位服务。

iv 本公司拥有完善的生产设备，能够满足各种规格产品的生产需求。

v 本公司拥有完善的质量管理体系，通过了 GB, ISO 9001, TUV CE, ADWO-2000, TS, PED, WRC WRAS, KTW, API 6D, API609 等认证。

VI 本公司拥有完善的质量管理体系，通过了 GB, ISO 9001, TUV CE, ADWO-2000, TS, PED, WRC WRAS, KTW, API 6D, API609 等认证。

01

21 years of professional experience

03

Independent research and development team
28 top senior professional researchers

05

100% high level ex-factory inspection

07

2 years quality assurance, repair and replacement

4 factories

02

2 professional testing centers

04

High quality imported materials

06

COMPANY QUALIFICATION



COMPANY EXHIBITION



