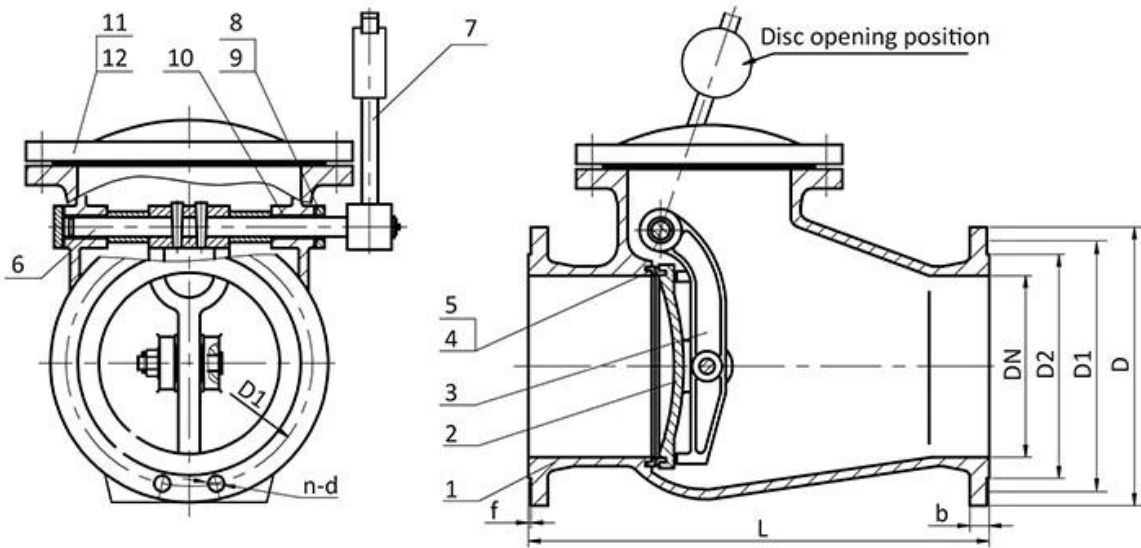


□□□□□□□□□□ □□□□□□□□□□□□□□□□□□□□□□□□□□□□□□□□□□
 □□□
 □□□

□□□
 □□□
 □□□

□□□□□□	□□□□□ □□□□ 12334
□□□□□□□□	□□ EN1092-2:1997 □□.□□□□□10
□□□□□□□□□□	□□□□3202F6
□□□□□□□□	BS EN 12266-1:2003 □□□□□ B
□□□□□□□□□□□□	□□□□□□□□□□□□□□□□□□□□□□
□□□□□□□□	□□□□□□□, □□□□, □□□□□, □□□□□□□□□□ □□□
□□□□□□□□□□	≤80°C
PN	PN10, PN16
□□□□□□□□	DN50-DN1600



APPLICATION SCENARIO

Industrial water application	Power plant	Sea water desalination	Water treatment	Water supply and drainage	HAVC	Food and drug	Water transport





COMPANY EXHIBITION



COMPANY QUALIFICATION



Partners



Delivery



Payment



Q: How to get the quotation?

A: Please provide the drawing and quantity, then we can quote for you.

Q: How to get the sample? How much is the sample fee?

A: We can provide the sample for you. The sample fee is \$100.

Q: What are the materials used for the RKSfluid? Can you provide the material certificate?

A: We use the high quality materials for the RKSfluid.

Q: How long is the lead time for the RKSfluid?

A: The lead time is 2-5 weeks.

Q: What is the warranty for the RKSfluid?

A: We provide 1 year warranty.

Q: Can you provide the technical drawing for the RKSfluid?

A: Yes, we can provide the technical drawing for you.

Q: How many units can you produce per month?

A: We can produce 100% of the order quantity per month.

Q: What are the certifications for the RKSfluid?

A: The RKSfluid is certified by TUV, API, WRAS, CE, ISO, DIN, ASME, BS EN, JIS, API, AWWA.

Q: How long is the R&D period for the RKSfluid?

A: The R&D period for the RKSfluid is 20 days. The R&D fee is 70% of the total cost.

