

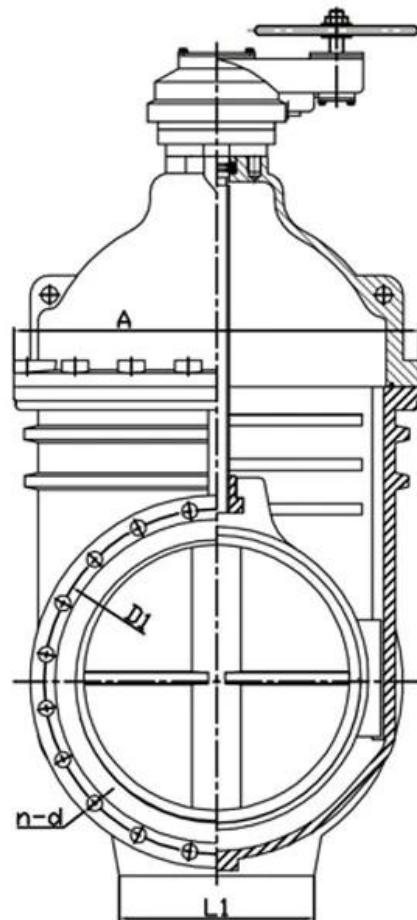
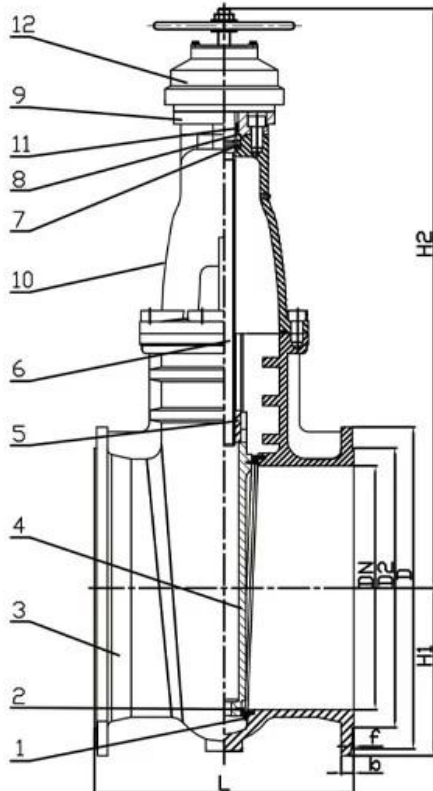
DESIGN FEATURES

TECHNICAL REQUIREMENT

- 1.Design standard:BS 5163.
- 2.Face to face:BS 5163.
- 3.Flanges standard:BS EN1092-2:1997 PN16.
- 4.Test standard:BS EN12266-1 Rate B.

FEATURES

- Double flange metal seated gate valve
- Size Range:DN50-DN2000
- Standard-ISO/BS/DIN/AWWA/API
- Tests Standard-BS EN 12266-1
- Body Ring-Bronze/SS420/SS304/SS316
- Body-Ductile Iron /Cast Iron/Stainless Steel /WCB
- Fusion bonded epoxy coating-min 300 microns



RELATED PRODUCTS



SMALL DIAMETER GATE VALVE
DN50-DN300,PN10/16/25



METAL SEATED GATE VALVE
DN350-DN600,PN10/16/25



LARGE DIAMETER
METAL SEATED GATE VALVE
DN700-DN2000,PN10/16/25

APPLICATION SCENARIO



Industrial water application



Power plant



Sea water desalination



Water treatment



Water supply and drainage



HAVC



Food and drug



Water transport



COMPANY FACTORY



COMPANY INFORMATION



i 本公司拥有先进的生产设备，采用国际先进的生产工艺，确保产品质量稳定可靠。

ii 本公司拥有 CNC 加工中心，配备先进的数控系统，能够实现高精度加工。

unit 本公司拥有完善的质量管理体系，严格按照 ISO 9001 标准执行。

iv 本公司拥有专业的研发团队，能够为客户提供定制化的产品和服务。

v 本公司拥有完善的质量管理体系，严格按照 GB, ISO 9001, ADWO-2000, TS, PED, WRC WRAS, KTW, API 6D, API609 标准执行。

VI 本公司拥有完善的质量管理体系，严格按照 ISO 9001, ISO 14001, ISO 45001 标准执行。

01

21 years of professional experience

03

Independent research and development team
28 top senior professional researchers

05

100% high level ex-factory inspection

07

2 years quality assurance, repair and replacement

4 factories

02

2 professional testing centers

04

High quality imported materials

06

COMPANY QUALIFICATION



