


DESIGN FEATURES

DURABLE

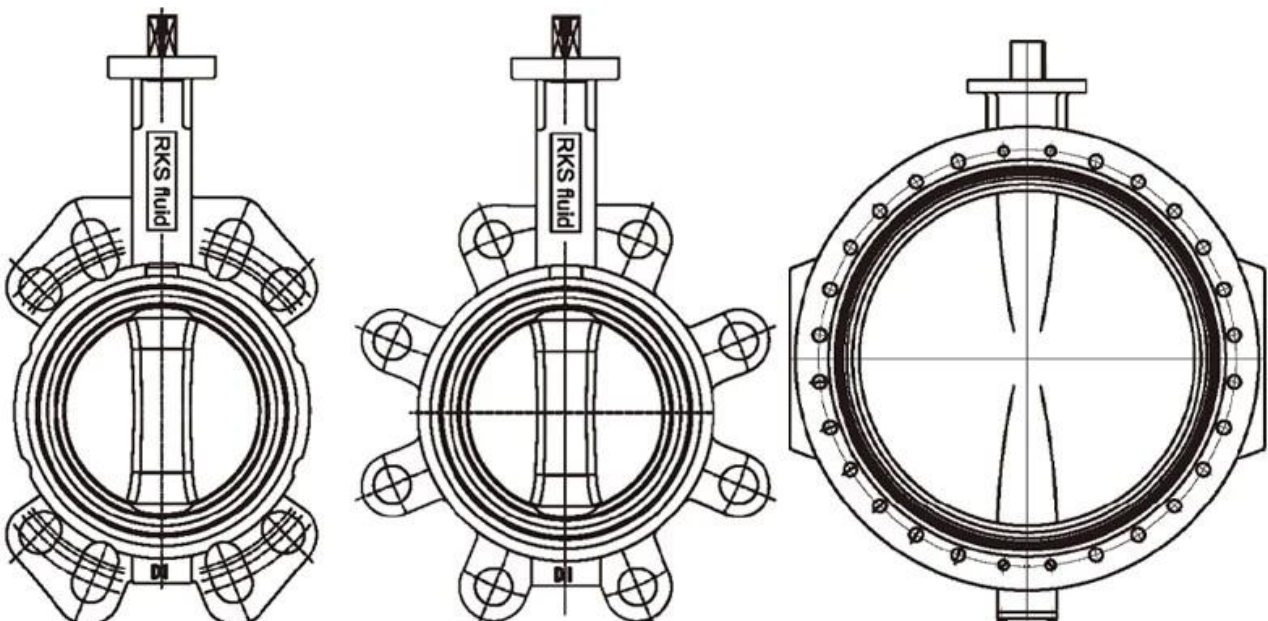
- No-pin connection, 1 pc blow-out proof stem
- DI/CI Nodularity over 95%

ANTI-CORROSION

- Material: Epoxy powder:  Earth Best!
- Coating Thickness: 200-250µm
- Spraying temp: over 200°C. Doesn't fade, even wipe with diethyl ether

QUALITY STANDARD

- 100% quality test, follow DIN, ASTM, JIS, GB/T, ISO, BS EN, API
- ONLY ONE Manufacturer get CE certification up to DN1800
- 2 years warranty. 15000 times On-off test, 30000 times Destructive experiment



APPLICATION SCENARIO



Industrial water application



Power plant



Sea water desalination



Water treatment



Water supply and drainage



HAVC



Food and drug



Water transport



COMPANY FACTORY





COMPANY QUALIFICATION



COMPANY EXHIBITION



○○○○○○○○○○○○○○○○○○○○○:

○○○: ○○?

○○○: ○○

○○○: ○○?

○○○: ○○○○○○○○, ○○○○○○, hydraulic, ○○○○○○○○○○○○○○ RKSfluid Actuators ○○○○○○○○○○○○○○○○○○○○○○
○○○○○○○ ○○○○○○○○○○○○○○○○○○○○○○○○○○○○○○○○○○

○○○: ○○?

○○○: RKSfluid ○○

○○○: ○○○○○○○○○○○○○○

○○○: ○○○○○○○○○○○○○○○○○○○○ 2 ~ 5 ○○○○○○○○ ○○○○○○○○○○○○○○○○○○○○○○○○○○○○○○○○○○

○○○: **moq**

A: 1pc ○○○○○○○○○○○○○○○○○○○○○○○○○○○○○○○○○○

○○○: ○○?

○○○: ○○○○○○○○○○○○○○ 100% ○○○○○○○○○○○○○○○○○○○○○○○○ 2 ○○○○○○○○○○○○○○○○○○○○○○○○○○○○○○○○○○
○○○○○○○○○○○○○○○

○○○○○○○○○ TUV, API, WRAS, CE, ○○○○○○○○ ISO

○○○○○○○○○○○○○○○ DIN, ASME, BS EN, JIS, API, AWWA

○○○: ○○?

