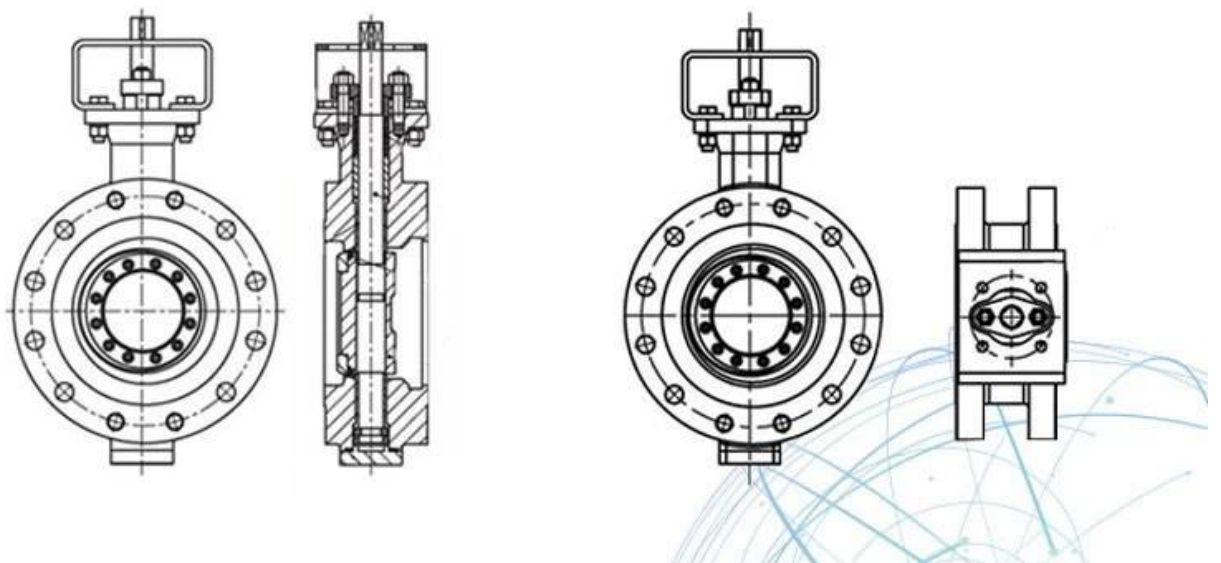


## DESIGN FEATURES



# APPLICATION SCENARIO



Industrial water application



Power plant



Petroleum



Nuclear plant



Hydroelectric power



Marine operation



Healing drugs



Refined coal



## Our Factory



# Company Advantages



i) 21 years of professional experience

ii) Independent research and development team, 28 top senior professional researchers, 2 professional testing centers, 100% high level ex-factory inspection

unit High quality imported materials, 2 years quality assurance, repair and replacement

iv) 4 factories

√ 认证证书: GB, 质量管理体系, 环境管理体系, TUV CE, ISO 9001, ADWO-2000, TS, PED, WRC WRAS, KTW, API 6D, API609

VI 设计: 品牌识别, 标志, 宣传册, 展会背景板, 展位设计, 展会手册, 展会名片 / 展会邀请函 / 展会邀请函, 展会邀请函

## Exhibition Photos





Q: 2023年10月10日（星期三）下午2:00-3:00

Q: RKSfluid 2023年10月10日（星期三）下午2:00-3:00 R&D 70 2023年10月10日（星期三）下午2:00-3:00