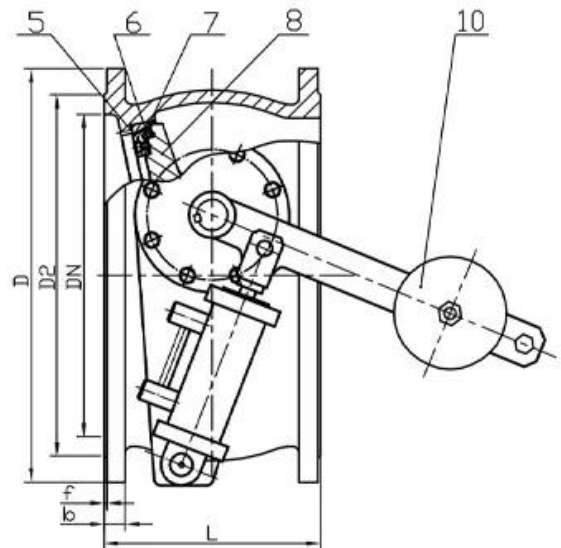
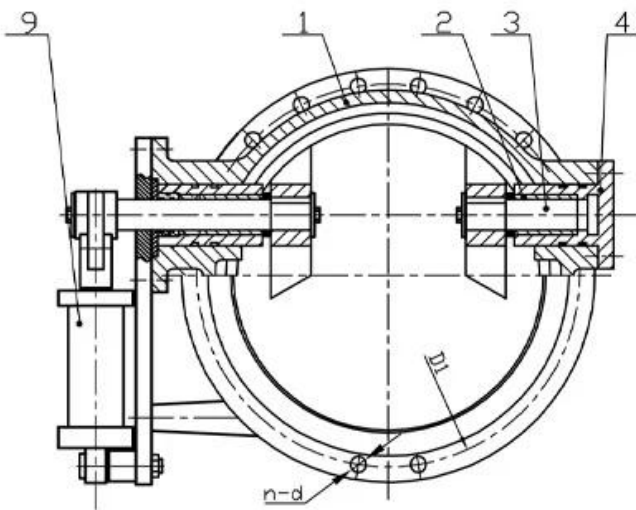


PRODUCT STRUCTURE

Features

- Size range DN100-1200mm
- Standard-ISO/ BS/DIN /AWWA/API
- Tests standard-BS EN 12266-1
- Body-Ductile Iron/Cast Iron/Stainless Steel/WCB
- Body Ring-SS420/SS304/SS316
- Disc Ring-EPDM
- Shaft-420/S5431/SS316
- Fusion bonded epoxy coating- Min 300 Microns

This series tilting check valves are suitable to be used at the exit of the pump whose medium is water. It is used to prevent or reduce medium back from water hammer. So it can protect the pipeline system. Suitable temperature $\leq 80^{\circ}\text{C}$



APPLICATION SCENARIO



Industrial water application



Power plant



Sea water desalination



Water treatment



Water supply and drainage



HAVC



Food and drug



Water transport



COMPANY FACTORY



COMPANY INFORMATION



i 本公司拥有先进的生产设备，包括数控机床、加工中心、磨床、铣床、刨床、钻床、冲床、折弯机、剪板机、激光切割机、等离子切割机、电火花机等。

ii 本公司拥有完善的质量管理体系，通过了 ISO 9001 质量管理体系认证，并通过了 GB/T 19001-2016 质量管理体系认证，确保了产品质量的稳定性和可靠性。

unit 本公司拥有专业的技术团队，具备丰富的生产经验，能够为客户提供从设计、加工到装配、调试的全方位服务。

iv 本公司拥有完善的生产设备，能够满足客户对大批量生产和小批量定制的需求。

v 本公司拥有完善的质量管理体系，通过了 GB, ISO 9001, TUV CE, ADWO-2000, TS, PED, WRC WRAS, KTW, API 6D, API609 等认证。

VI 本公司拥有完善的生产设备，能够满足客户对大批量生产和小批量定制的需求。

01

21 years of professional experience

03

Independent research and development team
28 top senior professional researchers

05

100% high level ex-factory inspection

07

2 years quality assurance, repair and replacement

4 factories

02

2 professional testing centers

04

High quality imported materials

06

COMPANY QUALIFICATION



COMPANY EXHIBITION



