

## DESIGN FEATURES

### DURABLE

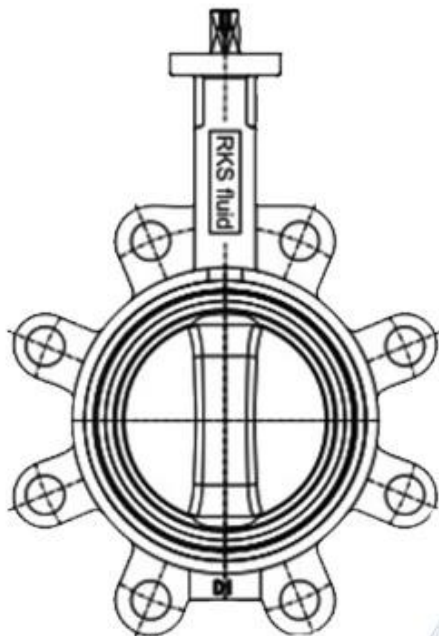
- No-pin connection, 1 pc blow-out proof stem
- DI/CI Nodularity over 95%

### ANTI-CORROSION

- Material: Epoxy powder:  , Earth Best!
- Coating Thickness: 200-250µm
- Spraying temp: over 200°C. Doesn't fade, even wipe with diethyl ether

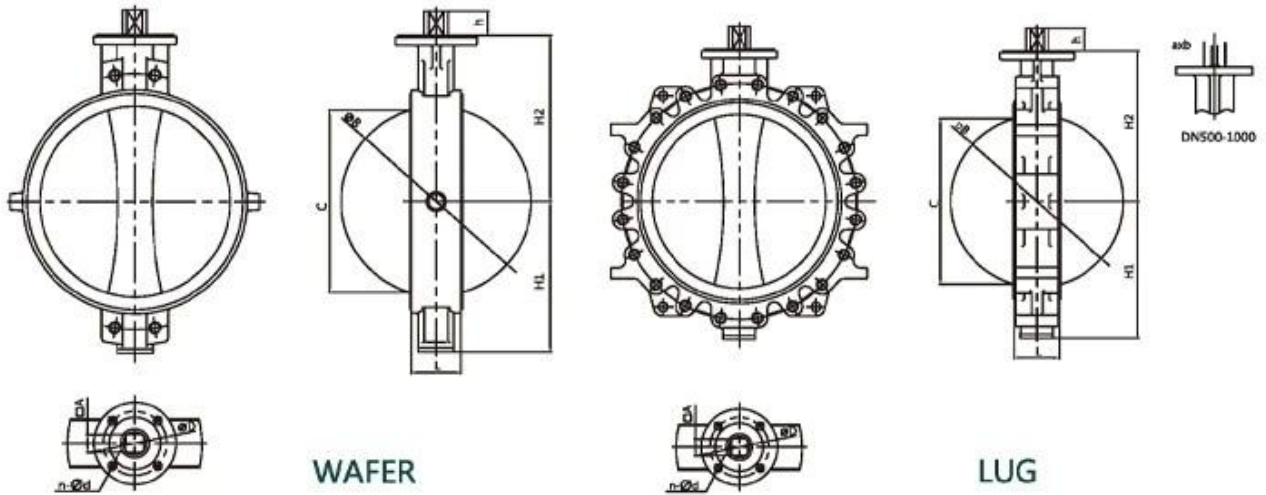
### QUALITY STANDARD

- 100% quality test, follow DIN, ASTM, JIS, GB/T, ISO, BS EN, API
- ONLY ONE Manufacturer get CE certification up to DN1800
- 2 years warranty. 15000 times On-off test, 30000 times Destructive experiment



□□□□	DN32 - DN2400 □NPS1 1/4 -NPS96)
□□□□□□□□□□□□	PN6 - PN10 - PN16 (□□□□ 150)
□□□□□□□□□□□□	-40 °C+120 °C

□□□□	□□□□□□□□□□□□□□ □□□
□□□□□□□□□□□□	NBR, EPDM, □□□□□□□□□□□□, □□□□□□□□, Viton
□□□□□□□□□□□□	□□□□□□□□, lug, u-section, double flange



**NPS14-NPS40 Wafer/Lug with alignment holes**

Size	L	H1	H2	h	A	ΦB	C	ΦG	a	b	ΦD	n-Φd	IS05211
NPS14	3.07	10.63	11.81	1.42	1.06	Φ13.31	12.95	-	-	-	Φ4.92	4-Φ0.55	F12
NPS16	4.02	11.81	13.58	1.69	1.26	Φ15.35	14.80	-	-	-	Φ5.50	4-Φ0.71	F14
NPS18	4.49	12.99	14.76	1.93	4.42	Φ17.20	16.61	-	-	-	Φ5.50	4-Φ0.71	F14
NPS20	5.00	15.16	16.73	2.56	-	Φ19.09	18.43	Φ2.36	0.71	2.52	Φ6.50	4-Φ0.87	F16
NPS24	6.06	17.24	19.49	2.76	-	Φ23.03	22.24	Φ2.36	0.71	2.52	Φ6.50	4-Φ0.87	F16
NPS28	6.50	20.39	22.44	3.15	-	Φ26.77	25.98	Φ2.76	0.79	2.93	Φ10.00	8-Φ0.71	F25
NPS30	6.50	21.46	24.02	3.15	-	Φ28.74	27.95	Φ2.76	0.79	2.93	Φ10.00	8-Φ0.71	F25
NPS32	7.48	22.32	25.20	3.15	-	Φ30.43	29.49	Φ2.76	0.79	2.93	Φ10.00	8-Φ0.71	F25
NPS36	7.99	25.59	27.56	3.94	-	Φ34.49	33.54	Φ3.15	0.87	3.35	Φ10.00	8-Φ0.71	F25
NPS40	8.50	28.15	29.53	3.94	-	Φ38.43	37.48	Φ3.15	0.87	3.35	Φ11.73	8-Φ0.87	F30

# APPLICATION SCENARIO



Industrial water application



Power plant



Sea water desalination



Water treatment



Water supply and drainage



HAVC



Food and drug



Water transport



# COMPANY INFORMATION



i) 本公司之產品均符合 ISO 9001 國際標準。

ii) 本公司之產品均符合 CNC 加工標準，並符合 ISO 9001 國際標準，並符合 ISO 14001 國際標準。

unit 本公司之產品均符合 ISO 9001 國際標準，並符合 ISO 14001 國際標準。

iv) 本公司之產品均符合 ISO 9001 國際標準。

v) 本公司之產品均符合：GB, ISO 9001, TUV CE, ISO 9001, ADWO-2000, TS, PED, WRC WRAS, KTW, API 6D, API609

VI) 本公司之產品均符合：ISO 9001, ISO 14001, ISO 45001, ISO 9001, ISO 14001, ISO 45001, ISO 9001 / ISO 14001 / ISO 45001, ISO 9001



01

21 years of professional experience

03

Independent research and development team  
28 top senior professional researchers

05

100% high level ex-factory inspection

07

2 years quality assurance, repair and replacement

4 factories

02

2 professional testing centers

04

High quality imported materials

06

## COMPANY QUALIFICATION



## COMPANY EXHIBITION



