




RKSfluid®


A key Valve in Flow Control




Butterfly Valve




Ball Valve



Gate Valve



Globe Valve

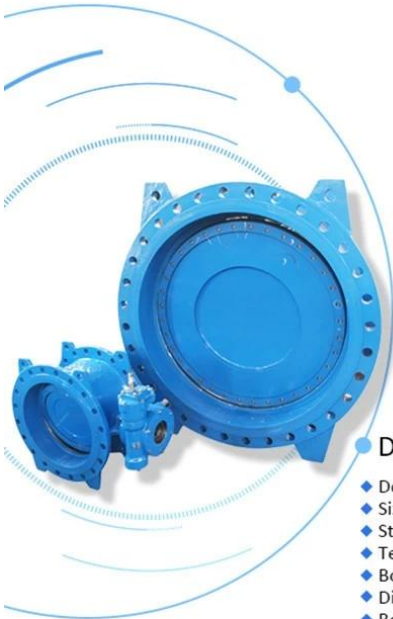


Check Valve



Pipe Fittings

DESIGN FEATURES



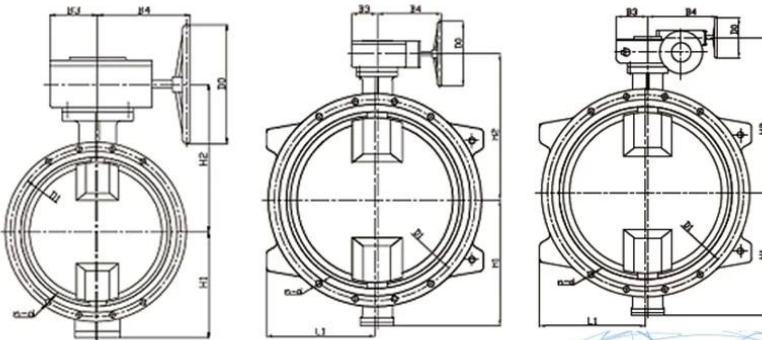
SPECIFICATION		
Nominal pressure (MPa)	1.6	
Testing pressure(MPa)	Seal	2.4
	Shell	1.76
Working pressure (MPa)	1.6	
Suitable temperature (°c)	<80°c	
Suitable medium	Water	

TECHNICAL REQUIREMENT	
1.Face to face standard: EN 558 Series 14.	
2.Flanges standard: BS EN1092-2:1997 PN16.	
3.Tests standard: BS EN12266-1:2003 Part 1 Rate A.	

DESCRIPTION :

- ◆ Double Flange Eccentric Resilient Seated Butterfly Valve
- ◆ Size Range DN100-DN3000
- ◆ Standard - ISO / BS / DIN / AWWA /API
- ◆ Tests Standard - BS EN 12266-1
- ◆ Body - Ductile Iron / Cast Iron /Stainless Steel / WCB
- ◆ Disc - Ductile Iron / Cast Iron / Stainless Steel / WCB
- ◆ Body Ring -SS420 / SS304 / SS316
- ◆ Retaining Ring - SS420 / SS304 / SS316
- ◆ Disc Ring -EPDM
- ◆ Shaft - SS420 / SS431 / SS316
- ◆ Fusion Bonded Epoxy Coating - Min 300 Microns

The designs, material and specifications shown are subject to change without notice due to our continuing programme of product development.



DN100-DN600

DN700-DN800

DN900-DN3000

APPLICATION SCENARIO



GB ISO 9001:2015, ISO 14001:2015, ISO 45001:2018, CE, ADWO - 2000, ISO9001, TS, API 5D, 5CT, 5L, 5LP, 5LX, 5R, 5S, 5SR, 5SR1, 5SR2, 5SR3, 5SR4, 5SR5, 5SR6, 5SR7, 5SR8, 5SR9, 5SR10, 5SR11, 5SR12, 5SR13, 5SR14, 5SR15, 5SR16, 5SR17, 5SR18, 5SR19, 5SR20, 5SR21, 5SR22, 5SR23, 5SR24, 5SR25, 5SR26, 5SR27, 5SR28, 5SR29, 5SR30, 5SR31, 5SR32, 5SR33, 5SR34, 5SR35, 5SR36, 5SR37, 5SR38, 5SR39, 5SR40, 5SR41, 5SR42, 5SR43, 5SR44, 5SR45, 5SR46, 5SR47, 5SR48, 5SR49, 5SR50, 5SR51, 5SR52, 5SR53, 5SR54, 5SR55, 5SR56, 5SR57, 5SR58, 5SR59, 5SR60, 5SR61, 5SR62, 5SR63, 5SR64, 5SR65, 5SR66, 5SR67, 5SR68, 5SR69, 5SR70, 5SR71, 5SR72, 5SR73, 5SR74, 5SR75, 5SR76, 5SR77, 5SR78, 5SR79, 5SR80, 5SR81, 5SR82, 5SR83, 5SR84, 5SR85, 5SR86, 5SR87, 5SR88, 5SR89, 5SR90, 5SR91, 5SR92, 5SR93, 5SR94, 5SR95, 5SR96, 5SR97, 5SR98, 5SR99, 5SR100.

Our Certificates



Exhibition Photos

