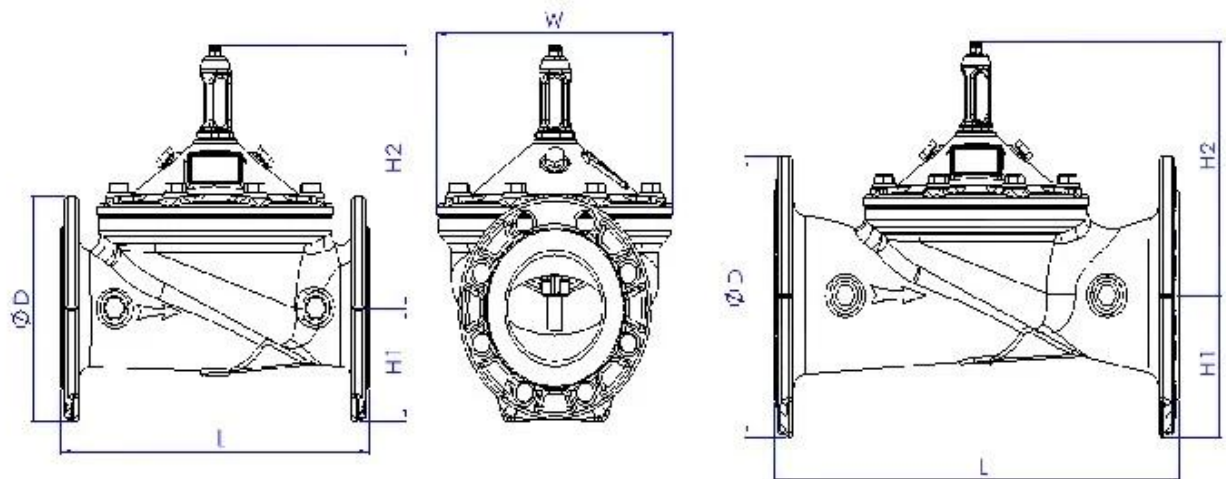




- 5 5
- CNC
- GSK & WIS
- 0.5
- $1.1xpn+1$
- $1.5xpn+1$
- $\pm 0.2$
- 1,000
- WRAS/KTW/NSF/FDA/ACS

Size	DN40-DN1200
Working Medium	Water
Temperature	0°C~70°C
Material	Ductile Iron/Stainless Steel/Cast Steel/Bronze/Aluminum Alloy
Design Standards	CJ/T 219 & JB/T 10674 & EN 1074-5
Pressure Level	PN10, PN16, PN25
Stress Test Standard	GB/T 13927 & ISO 5208 & EN12266-1
Flange drilling standard	GB17241.6; EN1092-2; ISO7005-2; ANSI / JIS / AS2129
Structure Length	GB 12221 & EN558-1









## Exhibition Photos





TUV, API, WRAS, CE, ISO  
DIN, ASME, BS EN, JIS, API, AWWA

?:  
RKSfluid 20 R&D 70