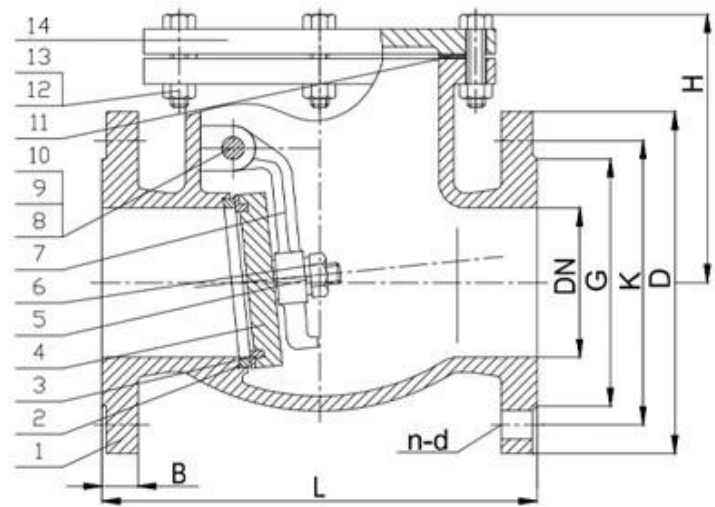
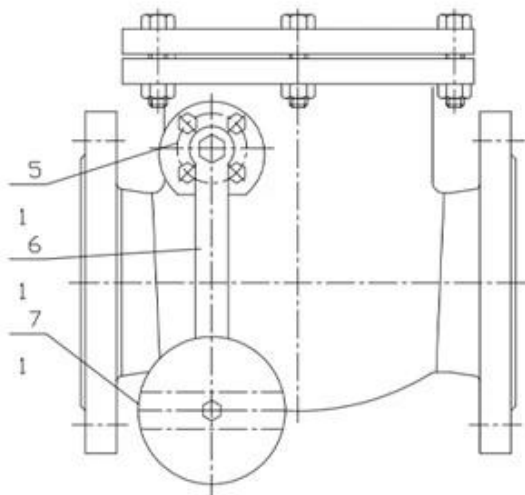


[www.kamstrup.com](#)

Kamstrup is a leading manufacturer of flow meters and meters for water, gas and steam. The company's products are used in a wide range of applications, from residential water meters to industrial gas meters. Kamstrup's products are known for their accuracy, reliability and long service life.

Material	Steel C515
Standard	ASME B16.1/16.42
Pressure Class	ANSI Class 5153
Standard	EN12266
Pressure Class	ANSI Class 5153
Material	Steel
Temperature Range	0-80 °C
Connection Size	11/18 inch
Connection Size	15/24 inch
Connection Size	10/16 inch
Connection Size	DN40-DN400



APPLICATION SCENARIO



Industrial water application



Power plant



Sea water desalination



Water treatment



Water supply and drainage



HAVC



Food and drug



Water transport



COMPANY INFORMATION



I 公司总部： 中国浙江省宁波市北仑区新碶街道新碶社区新碶村新碶路1号

II 公司主要生产基地： 中国浙江省宁波市北仑区新碶街道新碶社区新碶村新碶路1号

III 公司主要生产基地： 中国浙江省宁波市北仑区新碶街道新碶社区新碶村新碶路1号

IV 公司主要生产基地： 中国浙江省宁波市北仑区新碶街道新碶社区新碶村新碶路1号

V 公司主要生产基地： GB, 中国国家标准, 中国国家标准, TUV CE, ISO 9001, ADWO-2000, TS, PED, WRC WRAS, KTW, API 6D, API609

VI 公司主要生产基地： 中国浙江省宁波市北仑区新碶街道新碶社区新碶村新碶路1号



COMPANY EXHIBITION



COMPANY QUALIFICATION



Partners



Delivery



Payment



Q: How to place an order?

A: You can place an order with us through the website or contact our sales team via email or WhatsApp.

Q: Can you provide samples?

A: Yes, we can provide samples. We offer a free sample of RKSfluid, but the shipping cost is not covered. We also provide technical support and training.

Q: How long is the lead time?

A: RKSfluid has a lead time of 2-5 days for standard orders. For custom orders, it may vary.

Q: What is the minimum order quantity?

A: The minimum order quantity is 2-5 units, depending on the configuration and specifications.

Q: What is the price?

A: The price varies according to the specifications and quantity.

Q: Do you have any certifications?

A: Yes, we have 100% inspection and certification. We are certified by TUV, API, WRAS, CE, ISO, DIN, ASME, BS EN, JIS, API, AWWA.

Q: How long has your company been in operation?

A: RKSfluid has been operating for 27 years. We have an R&D department with 70 engineers and a complete production line.

