

## DESIGN FEATURES



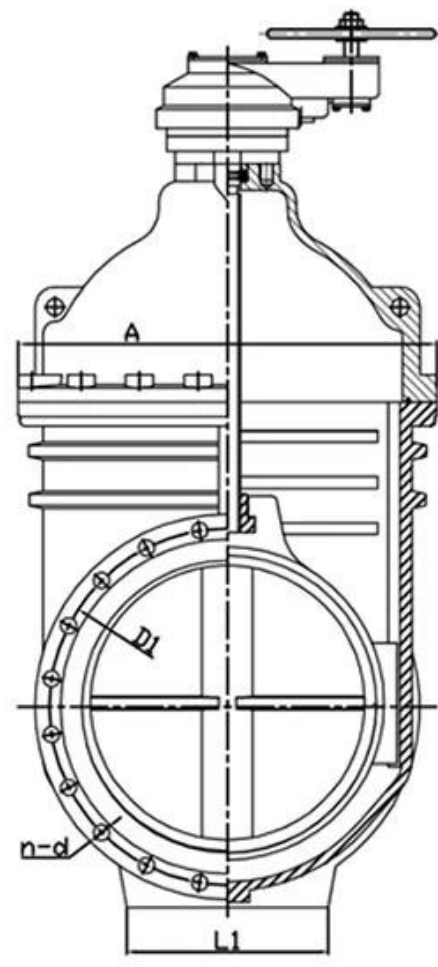
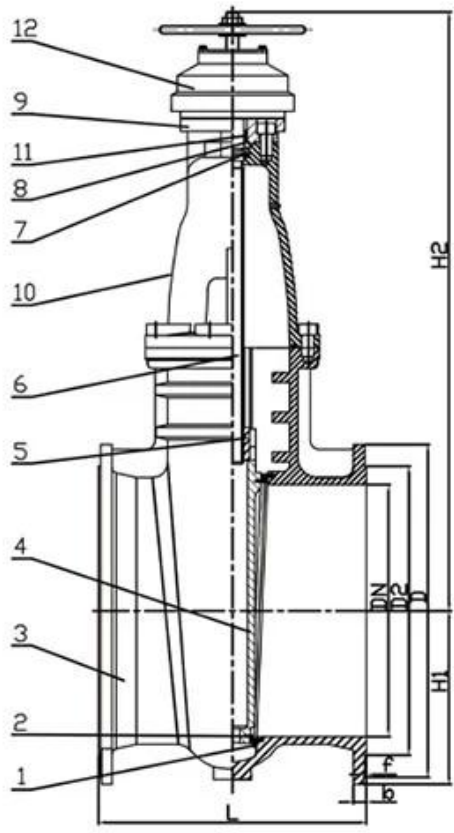
### ● TECHNICAL REQUIREMENT

- 1.Design standard:BS 5163.
- 2.Face to face:BS 5163.
- 3.Flanges standard:BS EN1092-2:1997 PN16.
- 4.Test standard:BS EN12266-1 Rate B.

### ● FEATURES

- Double flange metal seated gate valve
- Size Range:DN50-DN2000
- Standard-ISO/BS/DIN/AWWA/API
- Tests Standard-BS EN 12266-1
- Body Ring-Bronze/SS420/SS304/SS316
- Body-Ductile Iron /Cast Iron/Stainless Steel /WCB
- Fusion bonded epoxy coating-min 300 microns





**RELATED PRODUCTS**



**SMALL DIAMETER GATE VALVE**  
DN50-DN300,PN10/16/25



**METAL SEATED GATE VALVE**  
DN350-DN600,PN10/16/25



**LARGE DIAMETER METAL SEATED GATE VALVE**  
DN700-DN2000,PN10/16/25

# APPLICATION SCENARIO



Industrial water application



Power plant



Sea water desalination



Water treatment



Water supply and drainage



HAVC



Food and drug



Water transport



COMPANY FACTORY



# COMPANY INFORMATION



i) 本公司提供之產品均符合下列各項國際標準及認證：

ii) 本公司提供之產品均符合 CNC 加工，並符合 ISO 9001 認證，並符合 ISO 14001 認證，並符合 ISO 45001 認證。

unit 本公司提供之產品均符合下列各項國際標準及認證：

iv) 本公司提供之產品均符合下列各項國際標準及認證：

v) 本公司提供之產品均符合：GB, 並符合 ISO 9001, TUV CE, ISO 9001, ADWO-2000, TS, PED, WRC WRAS, KTW, API 6D, API609

VI) 本公司提供之產品均符合：ISO 9001, ISO 14001, ISO 45001, ISO 9001, ISO 14001, ISO 45001, ISO 9001 / ISO 14001 / ISO 45001, ISO 9001

01

21 years of professional experience

03

Independent research and development team  
28 top senior professional researchers

05

100% high level ex-factory inspection

07

2 years quality assurance, repair and replacement

4 factories

02

2 professional testing centers

04

High quality imported materials

06

# COMPANY QUALIFICATION







👤: RKSfluid 🏢 📅 20 📅 R&D 📅 70 🏢  
🏢