

DESIGN FEATURES

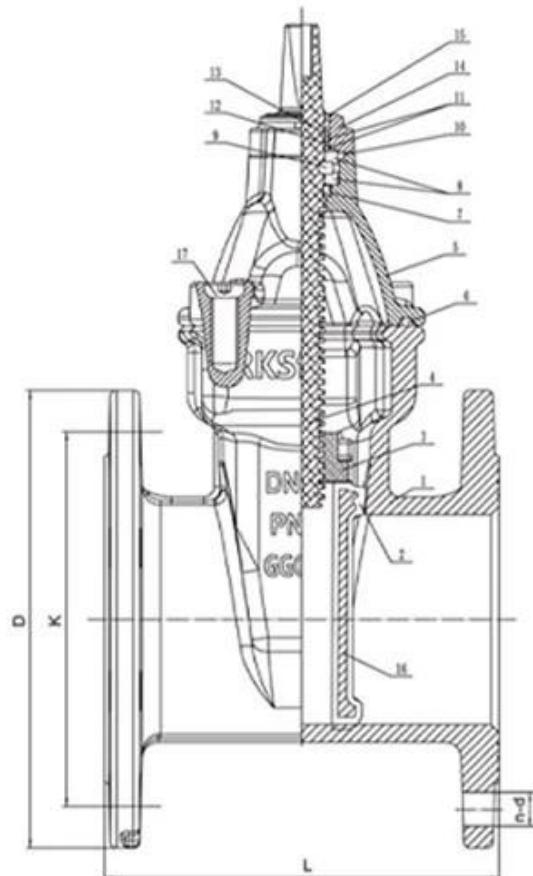


Features



- Use AkzoNobel material.
- Super Anti-corrosion
- Epoxy powder coating 200-250um,
- Baking varnish over 200°C,

NO.		
1	Body	GGG50
2	Dise	GGG40+EPDM
3	Wedge nut	C48600
4	Stem	SS431
5	Bonnet	GT450-10
6	Gasket	EPDM
7	Y-ring	EPDM85-90
8	Fix ring	CuZn21Si3/C69300
9	Thrust bearing	C69300
10	Seal ring	EPDM70
11	O ring	NBR
12	Retainer ring	POM
13	Bushing ring	POM
14	Gland	SS431
15	Dustproof ring	EPDM85
16	Dise core	GGG40
17	Bolt	SS316





Free wedge nut, reduces the stem bending forces and at the same time enables it to be easily replaced.



The more compact new cap, reduces the water retention areas in order to reduce the risk of bacterial growth.



One piece stainless steel stem in for better resistance to axial load and to with stand higher operating torques.



Three locking tab for bayonet system prevents self-dismantling.



Dust guard integrating three O-ring shape, prohibiting the introduction of foreign bodies at the stem.



Male guiding system with composite sliding skate reduces the wear of the wedge against the body, allowing a smooth functionality and a longer life time of the valve.



Triple seal at the operating stem to ensure tightness with the test of time (2500 cycles).



New male composite sliding skate technology ensuring a low operating torque even under high differential pressure and preventing damage or corrosion generated by the friction.



APPLICATION SCENARIO



Industrial water application



Power plant



Sea water desalination



Water treatment



Water supply and drainage



HAVC



Food and drug



Water transport



COMPANY FACTORY



COMPANY INFORMATION



i 廠址：廣東省揭陽市惠來縣東山鎮東山村東山工業園

ii 主要設備：CNC 數控機床，數控磨床，數控刨床，數控銑床，數控車床，數控鑽床，數控攻絲機

iii 主要產品：各種機械零件、機床、磨床、刨床、銑床、車床、鑽床、攻絲機

iv 主要客戶：廣東省內各大型企業、機械製造業

v 主要認證：GB, ISO 9001, TUV CE, ADWO-2000, TS, PED, WRC WRAS, KTW, API 6D, API609

VI 主要服務：機械加工、機床、磨床、刨床、銑床、車床、鑽床、攻絲機 / 數控機床 / 數控磨床 / 數控刨床 / 數控銑床 / 數控車床 / 數控鑽床 / 數控攻絲機

01

21 years of professional experience

03

Independent research and development team
28 top senior professional researchers

05

100% high level ex-factory inspection

07

2 years quality assurance, repair and replacement

4 factories

02

2 professional testing centers

04

High quality imported materials

06

COMPANY QUALIFICATION



COMPANY EXHIBITION



Partners



Delivery



Payment



faq

Q: How long does it take to receive the goods?

A: It depends on the quantity and destination. For small quantities, it takes about 7-10 days. For large quantities, it takes about 15-20 days.

Q: What is the lead time for the goods?

A: 10, 15, hydraulic, pneumatic RKSfluid Actuators

10, 15, hydraulic, pneumatic RKSfluid Actuators

Q: How long does it take to receive the goods?

A: RKSfluid pneumatic actuators, hydraulic actuators, solenoid valves, etc.

Q: How long does it take to receive the goods?

A: It depends on the quantity and destination. For small quantities, it takes about 7-10 days. For large quantities, it takes about 15-20 days.

Q: **MOQ**

A: 1pc pneumatic actuators, hydraulic actuators, solenoid valves, etc.

Q: How long does it take to receive the goods?

A: It depends on the quantity and destination. For small quantities, it takes about 7-10 days. For large quantities, it takes about 15-20 days.

10, 15, hydraulic, pneumatic RKSfluid Actuators

10, 15, hydraulic, pneumatic RKSfluid Actuators

10, 15, hydraulic, pneumatic RKSfluid Actuators

Q: How long does it take to receive the goods?

公司: RKSfluid 公司成立年份 20 公司成立年份 R&D 公司成立年份 70
公司成立年份公司成立年份公司成立年份公司成立年份公司成立年份公司成立年份公司成立年份公司成立年份公司成立年份公司成立年份公司成立年份