

DESIGN FEATURES

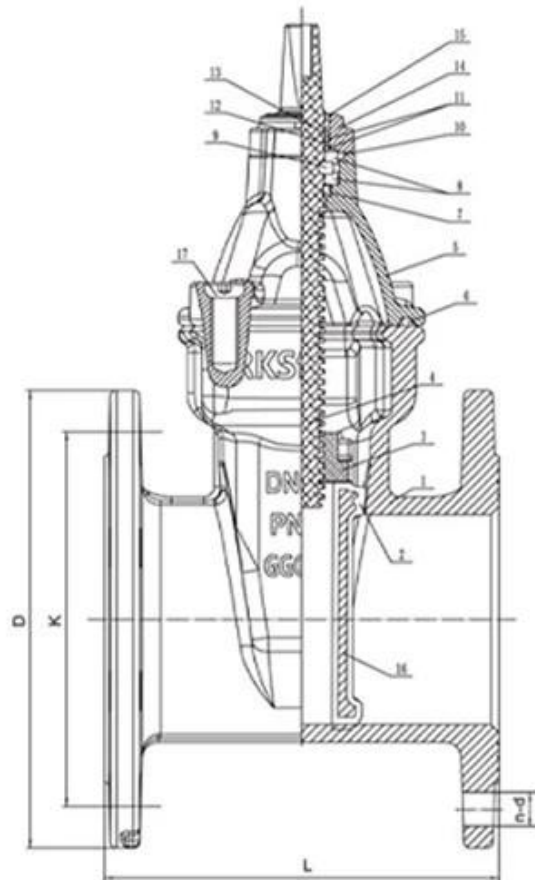


Features



- Use AkzoNobel material.
- Super Anti-corrosion
- Epoxy powder coating 200-250um,
- Baking varnish over 200°C,

NO.		
1	Body	GGG50
2	Dise	GGG40+EPDM
3	Wedge nut	C48600
4	Stem	SS431
5	Bonnet	GT450-10
6	Gasket	EPDM
7	Y-ring	EPDM85-90
8	Fix ring	CuZn21Si3/C69300
9	Thrust bearing	C69300
10	Seal ring	EPDM70
11	O ring	NBR
12	Retainer ring	POM
13	Bushing ring	POM
14	Gland	SS431
15	Dustproof ring	EPDM85
16	Dise core	GGG40
17	Bolt	SS316





Free wedge nut, **reduces the stem bending forces** and at the same time enables it to be easily replaced.



The more compact new cap, **reduces the water retention areas** in order to reduce the risk of bacterial growth.



One piece stainless steel stem in for **better resistance to axial load** and to with stand higher operating torques.



Three locking tab for bayonet system prevents self-dismantling.



Dust guard integrating three O-ring shape, **prohibiting the introduction of foreign bodies** at the stem.



Male guiding system with composite sliding skate reduces the wear of the wedge against the body, allowing a smooth functionality and a longer life time of the valve.



Triple seal at the operating stem to ensure tightness with the test of time (2500 cycles).



New male composite sliding skate technology ensuring a low operating torque even under high differential pressure and preventing damage or corrosion generated by the friction.

RELATED PRODUCTS



APPLICATION SCENARIO



Industrial water application



Power plant



Sea water desalination



Water treatment



Water supply and drainage



HAVC



Food and drug



Water transport



COMPANY INFORMATION



i 廠房設備： 廠房設備、機器設備、電氣設備、水暖設備、通風設備、給水設備、排水設備、

ii 廠房設備： CNC 廠房設備, 廠房設備、機器設備、電氣設備、水暖設備、通風設備、給水設備、排水設備

unit

廠房設備、機器設備、電氣設備、水暖設備、通風設備、給水設備、排水設備

iv 廠房設備： 廠房設備、機器設備、電氣設備、水暖設備、通風設備、給水設備、排水設備

v 廠房設備： GB, 廠房設備、機器設備、電氣設備, TUV CE, ISO 9001, ADWO-2000, TS, PED, WRC WRAS, KTW, API 6D, API609

VI 廠房設備： 廠房設備、機器設備、電氣設備、水暖設備、通風設備、給水設備、排水設備 / 廠房設備 / 廠房設備、機器設備、電氣設備、水暖設備、通風設備、給水設備、排水設備

COMPANY FACTORY



COMPANY QUALIFICATION



COMPANY EXHIBITION



Q: How long has your company been in the market?

A: We have been in the market for over 20 years.

Q: What are your main products?

A: Our main products are hydraulic actuators.

Q: What are the applications of your actuators?

A: Our actuators are used in various industries, including oil and gas, power, and manufacturing.

Q: What are your company's strengths?

A: RKSfluid has a strong focus on research and development, and we have a highly skilled and experienced workforce.

Q: What are your company's goals?

A: Our goal is to continue to expand our global presence and to provide our customers with the highest quality products and services.

Q: What is your minimum order quantity (MOQ)?

A: 1pc

Q: What are your company's certifications?

A: We are certified by TUV, API, WRAS, CE, and ISO.

Q: What are your company's standards?

A: We follow the standards of ISO, DIN, ASME, BS EN, JIS, API, and AWWA.

Q: How long has your company been in the market?

A: We have been in the market for over 20 years.

Q: What are your company's strengths?

A: RKSfluid has a strong focus on research and development, and we have a highly skilled and experienced workforce.

