

**RKSfluid®**



**RKSfluid®**



**RKSfluid®**



**RKSfluid®**



**RKSfluid®**



RKSfluid®




## DESIGN FEATURES

### DURABLE

- No-pin connection, 1 pc blow-out proof stem
- DI/CI Nodularity over 95%

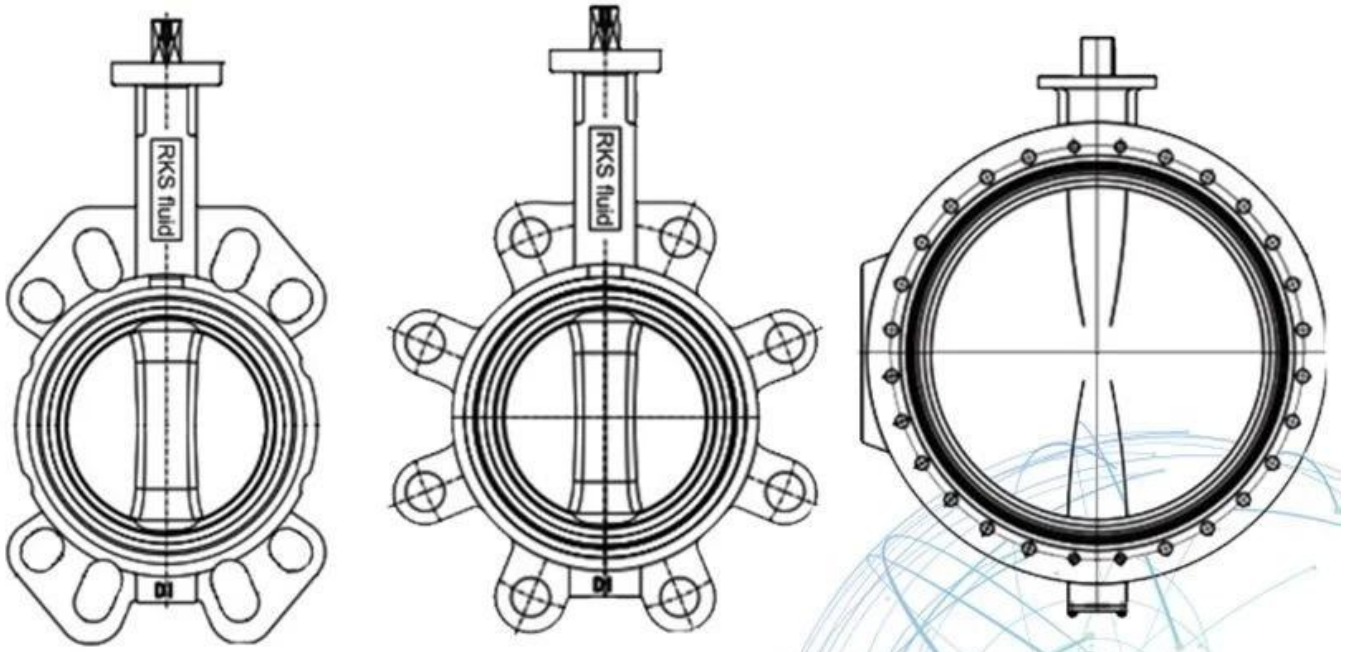
### ANTI-CORROSION

- Material: Epoxy powder:  , Earth Best!
- Coating Thickness: 200-250µm
- Spraying temp: over 200°C. Doesn't fade, even wipe with diethyl ether

### QUALITY STANDARD

- 100% quality test, follow DIN, ASTM, JIS, GB/T, ISO, BS EN, API
- ONLY ONE Manufacturer get CE certification up to DN1800
- 2 years warranty. 15000 times On-off test, 30000 times Destructive experiment





APPLICATION SCENARIO



RKSfluid 1997

Industrial water application, Power plant, Sea water desalination, Water treatment, Water supply and drainage, HVAC, Food and drug, Water transport

GB

RKS

US Agent

GB, ISO, TUV CE ADWO- 2000,



ISO9001, TS, API 認證服務: 認證, 審核, 輔導, 培訓, 諮詢, 監事

認證服務: 認證, Bonnets, 審核, 輔導, 培訓, 諮詢, 監事

Saddles 認證服務: 認證, 審核, 輔導, 培訓, 諮詢, 監事

" 認證服務: 認證, 審核, 輔導, 培訓, 諮詢, 監事"

認證服務: 認證, 審核, 輔導, 培訓, 諮詢, 監事!

area 認證服務: 認證, 審核, 輔導, 培訓, 諮詢, 監事

centers 認證服務: 認證, 審核, 輔導, 培訓, 諮詢, 監事

reference 認證服務: 認證, 審核, 輔導, 培訓, 諮詢, 監事

IV 認證服務: 認證, 審核, 輔導, 培訓, 諮詢, 監事

Standard 認證服務: GB, 認證, 審核, 輔導, 培訓, 諮詢, TUV CE, ISO 9001, ADWO-2000, TS, PED, WRC WRAS, KTW, API 6D, API609

VI 認證服務: 認證, 審核, 輔導, 培訓, 諮詢, 監事, 認證 / 審核 / 輔導, 認證服務

# Our Factory

