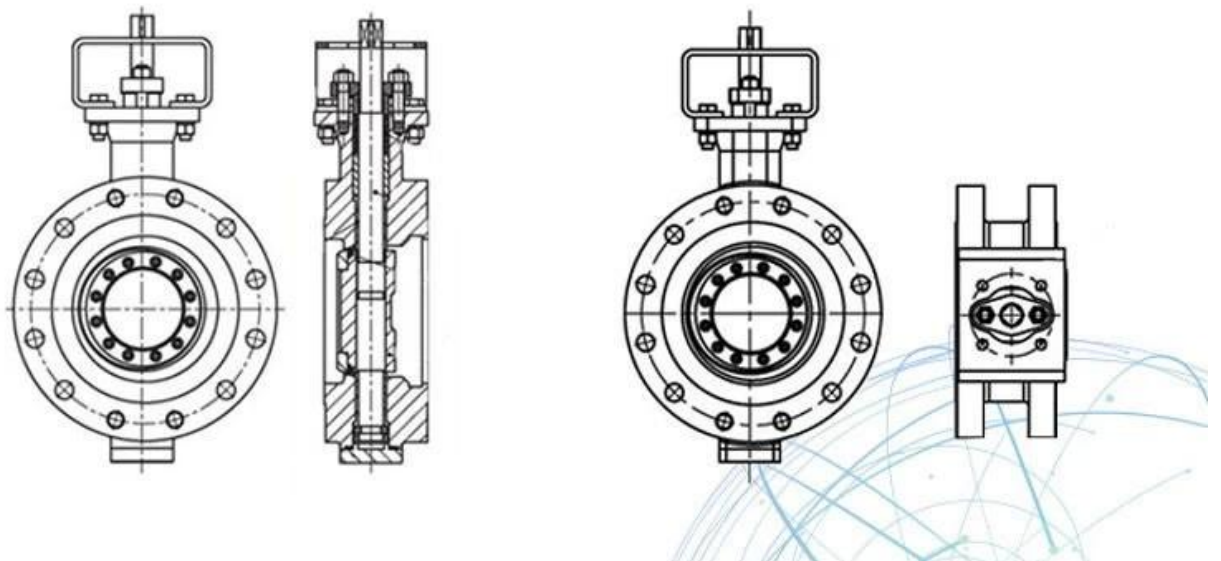


DESIGN FEATURES



APPLICATION SCENARIO



Industrial water application



Power plant



Petroleum



Nuclear plant



Hydroelectric power



Marine operation



Healing drugs



Refined coal



Our Factory



Company Advantages



i) 21 years of professional experience

ii) Independent research and development team, 28 top senior professional researchers, 2 professional testing centers, 100% high level ex-factory inspection

unit 100% high level ex-factory inspection

iv) 2 years quality assurance, repair and replacement

√ 认证证书: GB, 认证证书, 认证证书, TUV CE, ISO 9001, ADWO-2000, TS, PED, WRC WRAS, KTW, API 6D, API609

VI 认证证书: 认证证书, 认证证书, 认证证书, 认证证书, 认证证书, 认证证书 / 认证证书 / 认证证书, 认证证书

Exhibition Photos



Q: 2023年10月10日（星期三）下午2:00-3:00

Q: RKSfluid 2023年10月10日（星期三）下午2:00-3:00 R&D 70 2023年10月10日（星期三）下午2:00-3:00