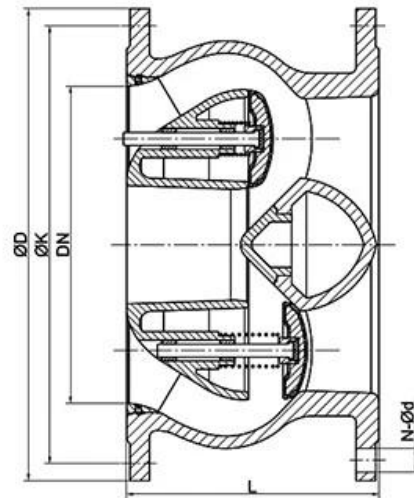


DESIGN FEATURES

Features

1. Streamlined: minimum noise
2. Anti-static design
3. Double Block & Bleed
4. Automatic Self-Venting Seats
5. Emergency Protection



APPLICATION SCENARIO



Industrial water application



Power plant



Sea water desalination



Water treatment



Water supply and drainage



HAVC



Food and drug



Water transport



COMPANY INFORMATION



i 本公司拥有完善的质量管理体系，通过了 ISO 9001 质量管理体系认证，确保了产品质量的稳定性和可靠性。

ii 本公司拥有先进的 CNC 加工设备，能够满足各种复杂零件的加工需求，加工精度高，交货周期短。

unit 本公司拥有专业的技术团队，能够为客户提供专业的技术支持和售后服务，确保客户满意。

iv 本公司拥有完善的安全管理体系，确保了生产过程中的安全，杜绝了事故的发生。

v 本公司通过了 GB, ISO 9001, TUV CE, ADWO-2000, TS, PED, WRC WRAS, KTW, API 6D, API609 等多项国际认证。

VI 本公司拥有完善的环境管理体系，通过了 ISO 14001 环境管理体系认证，致力于环保和可持续发展。

01

21 years of professional experience

03

Independent research and development team
28 top senior professional researchers

05

100% high level ex-factory inspection

07

2 years quality assurance, repair and replacement

4 factories

02

2 professional testing centers

04

High quality imported materials

06

COMPANY QUALIFICATION



COMPANY EXHIBITION



Q: How long does it take to receive the goods?

A: It depends on the quantity and the destination.

Q: What are the main products you offer?

A: We offer various types of actuators, including hydraulic, pneumatic, and electric actuators. RKSfluid Actuators are known for their reliability and performance in various industrial applications.

Q: What is the lead time for your products?

A: RKSfluid has a lead time of approximately 2 to 5 weeks for most products, depending on the specific requirements and the current stock levels.

Q: What are the payment terms?

A: We offer flexible payment terms, including 2 to 5% discount for early payment and net 30 for standard terms.

Q: **moq**

A: 1pc for most standard products.

Q: What are the quality standards you follow?

A: We adhere to strict quality standards, including 100% inspection and ISO 9001 certification. Our products are tested thoroughly to ensure reliability and performance.

Our products are certified by TUV, API, WRAS, CE, and ISO.

Other certifications include DIN, ASME, BS EN, JIS, API, and AWWA.

Q: How long has your company been in the industry?

A: RKSfluid has been in the industry for over 20 years, with a strong focus on R&D and innovation. We have a track record of providing high-quality products and excellent customer service for over 70 years.