



# RKSfluid®

A key Valve in Flow Control



Butterfly Valve



Ball Valve



Gate Valve



Globe Valve

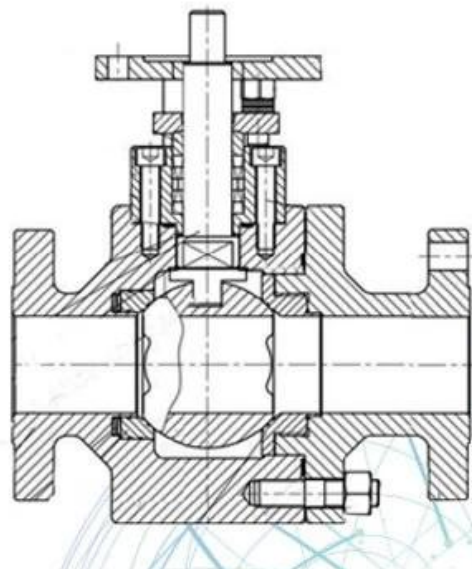
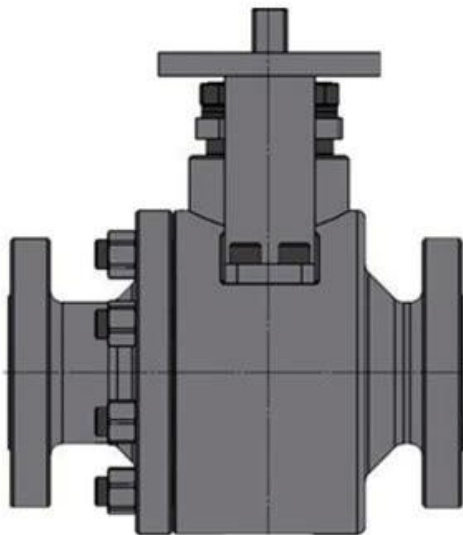


Check Valve



Pipe Fittings

## DESIGN FEATURES





# APPLICATION SCENARIO



Industrial water application



Power plant



Petroleum



Steel



Wastewater treatment



Acid-base



Healing drugs



Refined coal



# Our Factory





# Company Advantages



I. 21 years of professional experience

II. Independent research and development team  
28 top senior professional researchers

III. 100% high level ex-factory inspection

IV. 2 years quality assurance, repair and replacement

V 认证: GB, ADWO-2000, TS, PED, WRC WRAS, KTW, API 6D, API609

VI 认证: pneumatic / actuator

## Exhibition Photos





# Our Certificates



Q: How long does it take to get a certificate?

A: It depends on the type of certificate and the scope of the project.

A: It depends on the type of certificate, the scope of the project, and the location of the project.

Q: What are the types of certificates available?

A: We offer various types of certificates, including ISO 9001, ISO 14001, Hrdraulic, Solenoid Valves, and RKSfluid. We also offer certificates for various standards and specifications.

Q: How long does it take to get a certificate?

A: It depends on the type of certificate and the scope of the project. We typically offer a 4-year validity period.

Q: What are the types of certificates available?

A: We offer various types of certificates, including ISO 9001, ISO 14001, and others. We also offer certificates for various standards and specifications, with a validity period of 2 to 5 years.

Q: MOQ

A: 1 unit. We offer a minimum order quantity of 1 unit.

Q: How long does it take to get a certificate?

A: It depends on the type of certificate and the scope of the project. We offer a 100% guarantee and a 2-year validity period. We also offer certificates for various standards and specifications, including TUV, API, WRAS, CE, ISO certification, DIN, ASME, BS EN, JIS, API, AWWA.

Q: 2023年10月10日（星期三）下午2:00-3:00

Q: RKSfluid 2023年10月10日（星期三）下午2:00-3:00 R & D 70 2023年10月10日（星期三）下午2:00-3:00