

RKSfluid®



RKSfluid®



RKSfluid®




DESIGN FEATURES

DURABLE

- No-pin connection, 1 pc blow-out proof stem
- DI/CI Nodularity over 95%

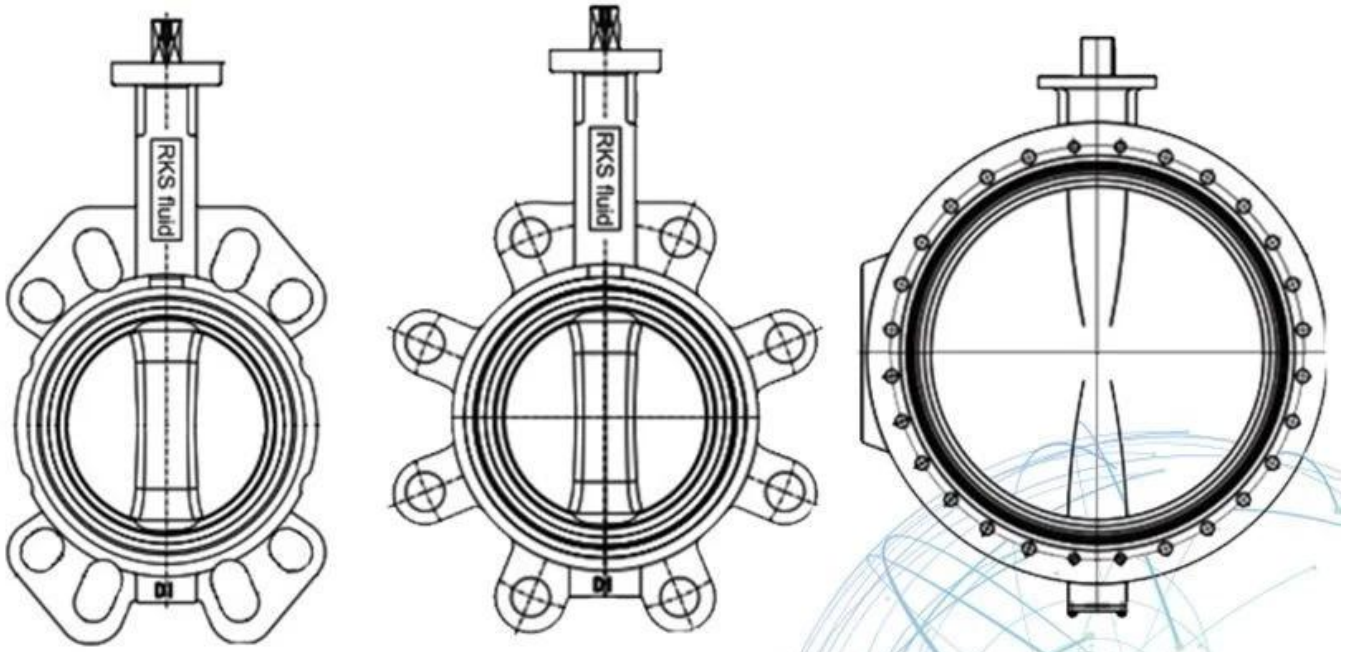
ANTI-CORROSION

- Material: Epoxy powder:  , Earth Best!
- Coating Thickness: 200-250µm
- Spraying temp: over 200°C. Doesn't fade, even wipe with diethyl ether

QUALITY STANDARD

- 100% quality test, follow DIN, ASTM, JIS, GB/T, ISO, BS EN, API
- ONLY ONE Manufacturer get CE certification up to DN1800
- 2 years warranty. 15000 times On-off test, 30000 times Destructive experiment





APPLICATION SCENARIO



Industrial water application



Power plant



Sea water desalination



Water treatment



Water supply and drainage



HAVC



Food and drug



Water transport



RKSfluid 自 1997 年 以來 一直 為 全球 領先 的 工業 水 處理 和 輸送 設備 製造 商 之一 提供 專業 的 技術 支持 和 服務 方案 我們 擁有 豐富 的 行業 經驗 和 先進 的 生產 設備 確保 產品 質量 穩定 可靠 且 具備 優越 的 性能 表現 歡迎 各界 人士 垂詢 洽談 詳情 請 致電 021-51011111 或 訪問 我們 的 官方 網站 www.rksfluid.com

... ..
... ..
...

... GB ... RKS ...

... GB, ISO, ... TUV ... CE ... ADWO-2000

ISO9001, TS, API ... & ...

... hoods, ... Saddle: ... " ..."

... RKSfluid ... 1997

... ..
... ..
... ..
... ..

... GB ... RKS ...

... GB, ISO, ... TUV ... CE ... ADWO-2000

ISO9001, TS, API ... & ...

... Saddle: ... " ..."

... !
... ..
...

work

III 工厂拥有先进的生产设备，包括数控机床、加工中心、磨床、铣床、刨床、钻床、冲床、折弯机、剪板机、激光切割机、等离子切割机、电火花机等。工厂还配备了完善的质量检测设备和实验室，确保产品质量符合国际标准。

IV 工厂拥有完善的质量管理体系，通过了 ISO 9001、ISO 14001、OHSAS 18001 等国际认证。工厂还通过了 GB、CE、TUV CE、ADWO-2000、TS、PED、WRC WRAS、KTW、API 6D、API 609 等认证。

Prodotto 工厂生产的产品：GB, CE, TUV CE, ISO 9001, ADWO-2000, TS, PED, WRC WRAS, KTW, API 6D, API 609

VI 工厂拥有完善的质量管理体系，通过了 ISO 9001、ISO 14001、OHSAS 18001 等国际认证。工厂还通过了 GB、CE、TUV CE、ADWO-2000、TS、PED、WRC WRAS、KTW、API 6D、API 609 等认证。

Our Factory





PTFE Butterfly Valve



PTFE Butterfly Valve



PTFE Butterfly Valve

BSEN 1092, DIN 2501, ANSI, JIS, AS2129

Size: DN50~DN600

Body: Ductile Iron

Disc: Ductile Iron+PTFE

Seat: PTFE

Connection: Wafer, Lug, Flange

BSEN 1092, DIN 2501, ANSI, JIS, AS2129

Size: DN50~DN600

Body: Ductile Iron

Disc: Ductile Iron+PTFE

Seat: PTFE

Connection: Wafer, Lug, Flange

BSEN 1092, DIN 2501, ANSI, JIS, AS2129

Size: DN50~DN600

Body: WCB, CF8, CF8M

Disc: CF8+PTFE, CF8M+PTFE

Seat: PTFE

Connection: Wafer, Lug



PTFE Butterfly Valve



PTFE Butterfly Valve



PTFE Butterfly Valve

BSEN 1092, DIN 2501, ANSI, JIS, AS2129

Size: DN50~DN600

Body: WCB, CF8, CF8M

Disc: CF8+PTFE, CF8M+PTFE

Seat: PTFE

Connection: Wafer, Lug

BSEN 1092, DIN 2501, ANSI, JIS, AS2129

Size: DN50~DN600

Body: Ductile Iron

Disc: CF8, CF8M

Seat: PTFE

Connection: Wafer, Lug, Flange

BSEN 1092, DIN 2501, ANSI, JIS, AS2129

Size: DN50~DN600

Body: WCB

Disc: CF8 +PTFE, CF8 +PFA

Seat: PTFE

Connection: Wafer, Lug, Flange



Resilient seat butterfly valve



Resilient seat butterfly valve



Resilient seat butterfly valve

PN10/PN16, ANSI 125LB/150LB,5K/10K

Size:DN25-DN2400

Body:DI CI

Disc: Stainless steel

Seat :EPDM, NBR, Viton

Connection: Wafer, Lug, Flange

PN10/PN16, ANSI 125LB/150LB,5K/10K

Size:DN25-DN2400

Body:DI CI

Disc: DI+ Nylon

Seat :EPDM, NBR, Viton

Connection: Wafer, Lug, Flange

PN10/PN16, ANSI 125LB/150LB,5K/10K

Size:DN25-DN2400

Body:DI CI

Disc: Stainless steel

Seat :EPDM, NBR, Viton

Connection: Wafer, Lug, Flange



Resilient seat butterfly valve



Double flange resilient seat butterfly valve



Short-neck butterfly valve for petroleum

PN10/PN16, ANSI 125LB/150LB,5K/10K

Size:DN25-DN2400

Body:DI CI

Disc: Stainless steel

Seat :EPDM, NBR, Viton

Connection: Wafer, Lug, Flange

PN10/PN16, ANSI 125LB/150LB, 5K/10K

Size:DN50-DN1000

Body:DI CI

Disc: Stainless steel

Seat :EPDM, NBR, Viton

Connection: Flange

ANSI 125LB/150LB

Top Flange Standard:ISO5211

Size:2"-12"

Body: DI CI

Disc :Stainless Steel

Seat : EPDM, NBR, Viton

Connection:Wafer, Lug

Our Certificates

