



# RKSfluid®

A key Valve in Flow Control



Butterfly Valve



Ball Valve



Gate Valve



Globe Valve

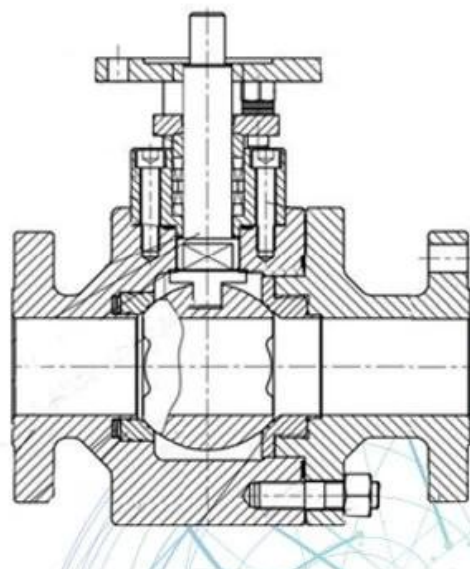
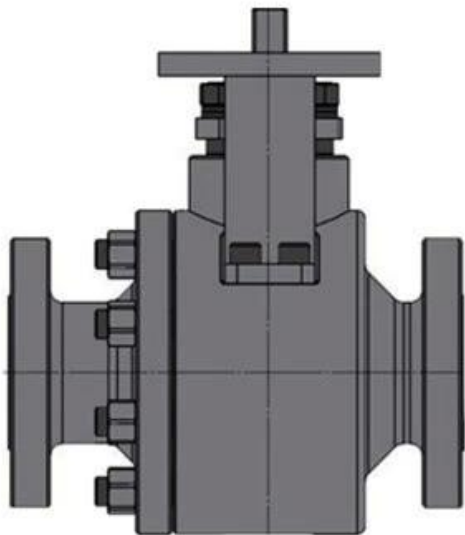


Check Valve



Pipe Fittings

## DESIGN FEATURES



# APPLICATION SCENARIO



Industrial water application



Power plant



Petroleum



Steel



Wastewater treatment



Acid-base



Healing drugs



Refined coal



# Our Factory



# Company Advantages



area :

centers

reference

IV

Standard 认证: GB, ISO 9001, TUV CE, ISO 9001, ADWO-2000, TS, PED, WRC WRAS, KTW, API 6D, API609

VI 设计: 展会设计, 展位设计, 宣传物料, 产品手册, 名片, 展会现场, 展会现场 / 展会现场 / 展会现场, 展会现场

## Exhibition Photos





Standards: DIN, ASME, BS EN, JIS, API, AWWA

Q: [Redacted]

A: RKSfluid [Redacted] 20 [Redacted] 70 [Redacted]

[Redacted]