



RKSfluid®

A key Valve in Flow Control



Butterfly Valve



Ball Valve



Gate Valve



Globe Valve

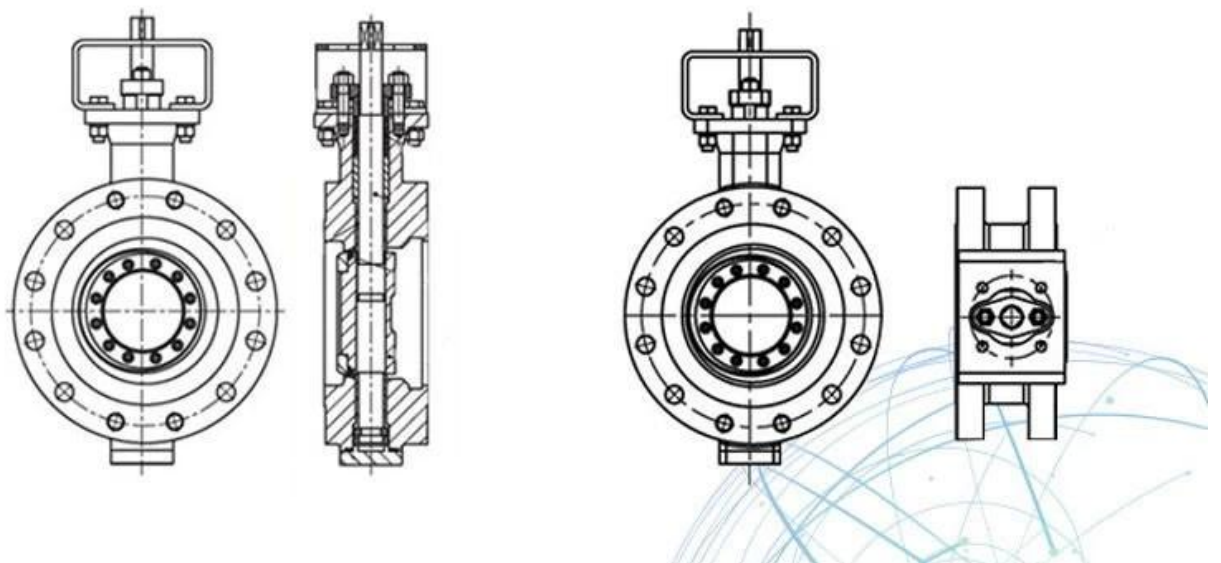


Check Valve



Pipe Fittings

DESIGN FEATURES



APPLICATION SCENARIO



Industrial water application



Power plant



Petroleum



Nuclear plant



Hydroelectric power



Marine operation



Healing drugs



Refined coal



Our Factory



Standard 认证: GB, ISO 9001, TUV CE, ISO 9001, ADWO-2000, TS, PED, WRC WRAS, KTW, API 6D, API609

VI 设计: 展会设计, 展位设计, 宣传物料设计, 产品包装设计, 企业形象设计, 品牌VI设计, 展会现场 / 展会宣传 / 展会活动策划, 展会现场布置

Exhibition Photos



Q: RKSfluid 20 R & D 70 R & D

A: RKSfluid 20 R & D 70 R & D