



RKSfluid®

A key Valve in Flow Control



Butterfly Valve



Ball Valve



Gate Valve



Globe Valve



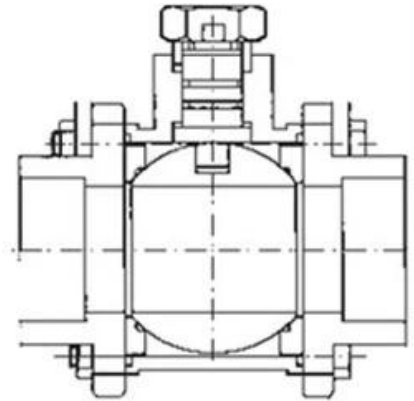
Check Valve



Pipe Fittings



- As primary sealing, thrust bearing & thrust washer enable reduce torque and prevent seizing
- Saddle lock gasket prevent nut loosening under frequent on-off
- Compact sealing structure, easy maintenance
- Blow-out proof stem



Engineering Projects



Partners



PTFE lined butterfly valve



Resilient seat butterfly valve



Double offset butterfly valve



Triple offset butterfly valve



Ball valve



Pipe fittings

Our Factory



Company Advantages

01

21 years of professional experience

03

Independent research and development team
28 top senior professional researchers

05

100% high level ex-factory inspection

07

2 years quality assurance, repair and replacement

4 factories

02

2 professional testing centers

04

High quality imported materials

06

A: 鋼製、鋁製、銅製、鉄鋼製、ステンレス製

Q: どの材質が最適ですか？

A: 鋼製、鋁製、銅製、鉄鋼製、ステンレス製 RKSfluid 鋼製が最適です

Q: どの材質が最適ですか？

A: 鋼製 RKSfluid 鋼製が最適です

Q: どの材質が最適ですか？

A: 鋼製 2 ~ 5 年保証です

Q: どの材質が最適ですか？

A: 鋼製 1 年保証

Q: どの材質が最適ですか？

A: 鋼製 100% 保証です

TUV, API, WRAS, CE, ISO

DIN, ASME, BS EN, JIS, API, AWWA

Q: どの材質が最適ですか？

A: RKSfluid 鋼製 20 年保証です