



RKSfluid®

A key Valve in Flow Control



Butterfly Valve



Ball Valve



Gate Valve



Globe Valve

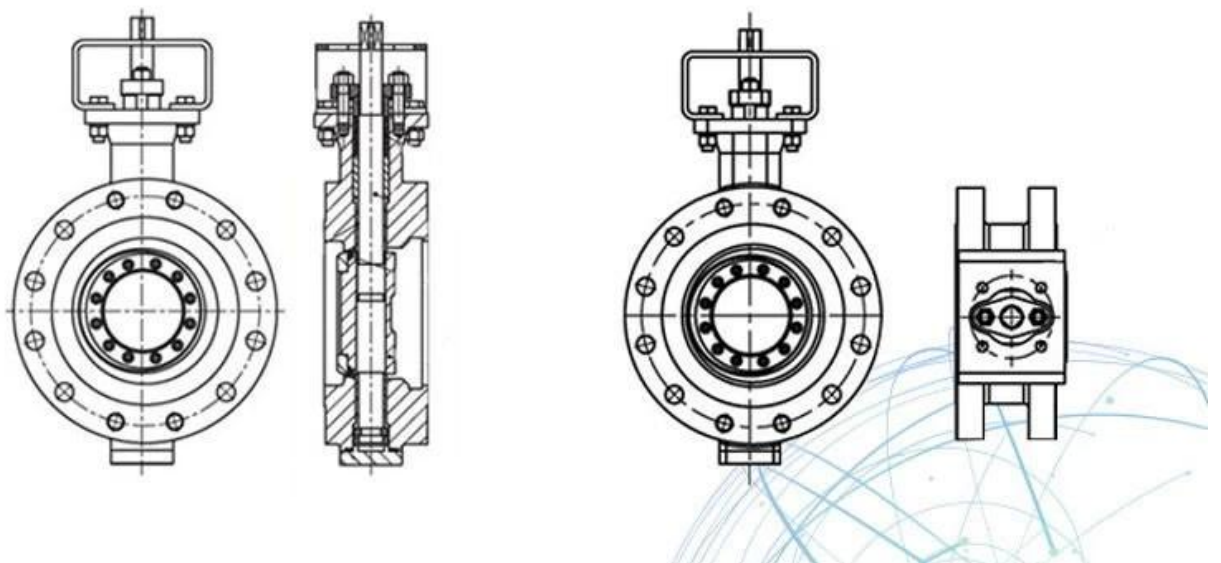


Check Valve



Pipe Fittings

DESIGN FEATURES



APPLICATION SCENARIO



Industrial water application



Power plant



Petroleum



Nuclear plant



Hydroelectric power



Marine operation



Healing drugs



Refined coal



Our Factory



Company Advantages

01

21 years of professional experience

03

Independent research and development team
28 top senior professional researchers

05

100% high level ex-factory inspection

07

2 years quality assurance, repair and replacement

4 factories

02

2 professional testing centers

04

High quality imported materials

06



area

centers

reference

IV

Standard 认证: GB, ISO 9001, TUV CE, ISO 9001, ADWO-2000, TS, PED, WRC WRAS, KTW, API 6D, API609

VI 设计: 展会设计, 展位设计, 宣传物料, 产品陈列, 灯光设计, 音响设计, 舞台设计 / 活动策划 / 品牌推广, 品牌宣传

Exhibition Photos



Q: 2019年12月31日，甲公司资产负债表显示，应付账款为1000万元。

A: RKSfluid 2019年12月31日，应付账款为1000万元。70%的应付账款在资产负债表日已经到期，但甲公司尚未支付。甲公司管理层表示，这些应付账款将在2020年1月15日之前支付。